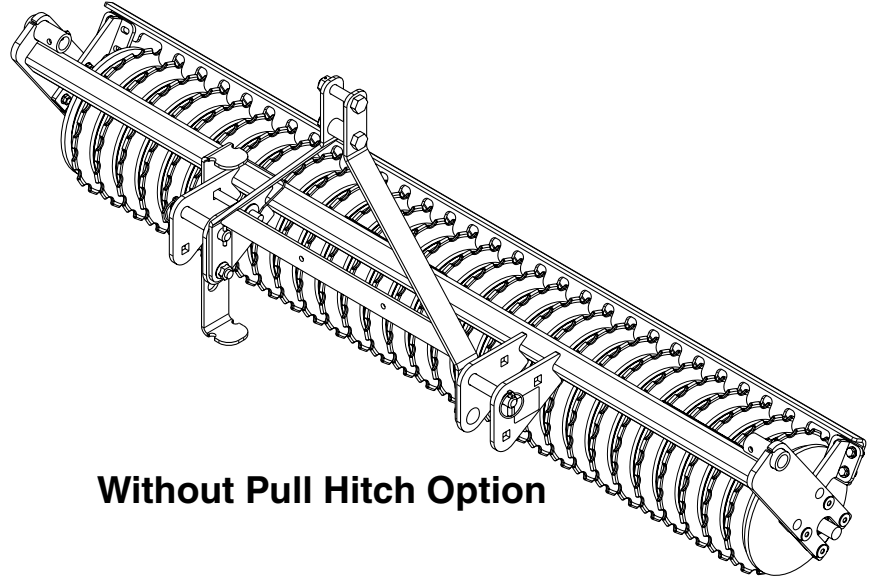


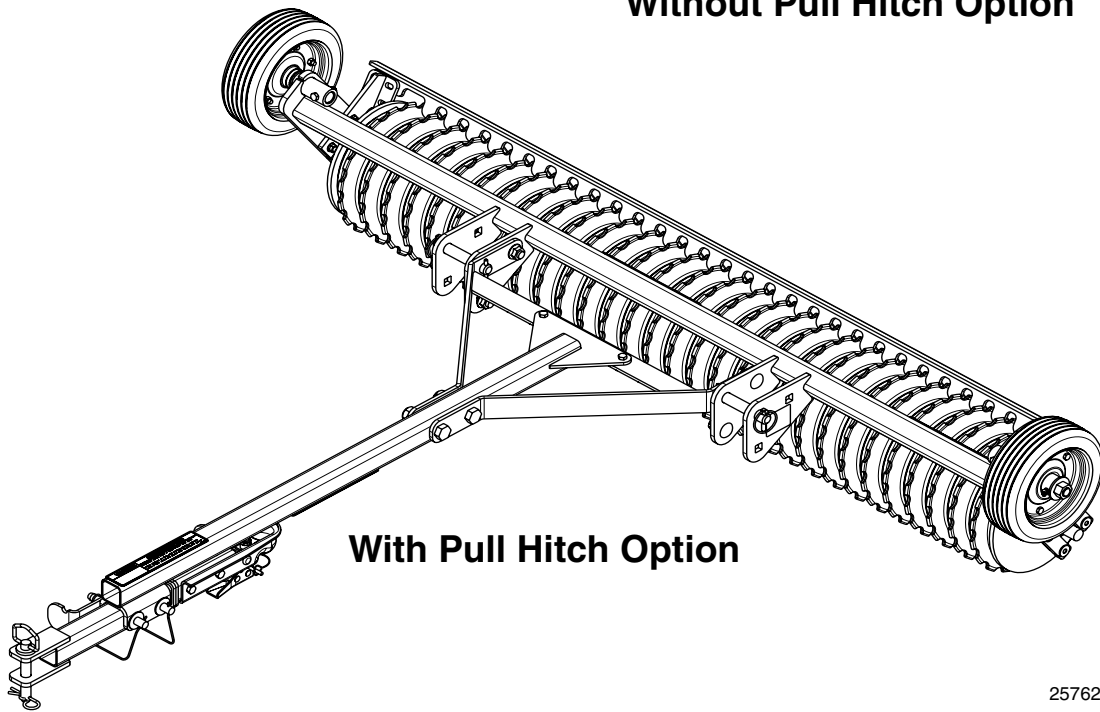
Seed Bed Roller

Model SBR72



Without Pull Hitch Option

25763



With Pull Hitch Option

25762

322-215M Operator's Manual



Read the Operator's Manual entirely. When you see this symbol, the subsequent instructions and warnings are serious - follow without exception. Your life and the lives of others depend on it!

Cover photo may show optional equipment not supplied with standard unit.

For an Operator's Manual and Decal Kit in French Language, please see your Land Pride dealer.





Machine Identification

Record your machine details in the log below. If you replace this manual, be sure to transfer this information to the new manual.

If you, or the dealer, have added Options not originally ordered with the machine, or removed Options that were originally ordered, the weights and measurements are no longer accurate for your machine. Update the record by adding the machine weight and measurements provided in the Specifications & Capacities Section of this manual with the Option(s) weight and measurements.

| | |
|------------------------|-------------------|
| Model Number | |
| Serial Number | |
| Machine Height | |
| Machine Length | |
| Machine Width | |
| Machine Weight | |
| Delivery Date | |
| First Operation | |
| Accessories | <hr/> <hr/> <hr/> |

Dealer Contact Information

Name: _____


Street: _____

City/State: _____

Telephone: _____

Email: _____

California Proposition 65

 **WARNING:** Handling passenger or off-highway motor vehicle parts can expose you to chemicals such as phthalates and lead, which can cause cancer and reproductive harm. To minimize exposure, service the vehicle in a well-ventilated area, wear gloves, and wash your hands. For more information see www.P65Warnings.ca.gov/motor-vehicle-parts.



| | | | |
|---|-----------|---|-----------|
| Important Safety Information | 1 | Section 6: Specifications & Capacities | 22 |
| Safety at All Times | 1 | Section 7: Features & Benefits | 23 |
| Look for the Safety Alert Symbol | 1 | Section 8: Torque Values Chart | 24 |
| Safety Labels | 6 | Section 9: Warranty | 25 |
| Introduction | 7 | | |
| Application | 7 | | |
| Using This Manual | 7 | | |
| Terminology | 7 | | |
| Owner Assistance | 7 | | |
| Serial Number | 7 | | |
| Further Assistance | 7 | | |
| Section 1: Assembly & Set-up | 8 | | |
| Tractor Requirements | 8 | | |
| Three-Point Hook-up | 8 | | |
| Pull Type Hook-Up | 8 | | |
| Three Point Hitch Assembly | 8 | | |
| Pull Type Hitch Assembly (Optional) | 9 | | |
| Roller Scraper Assembly | 10 | | |
| 3-Point Hook-Up | 11 | | |
| Pull-type Hook-up | 12 | | |
| Clevis Hook-up | 12 | | |
| Ball Hook-up | 13 | | |
| Section 2: Adjustments | 14 | | |
| Scraper Bar Adjustment | 14 | | |
| Ball Hitch Swivel Adjustment | 14 | | |
| Section 3: Operating Procedures | 15 | | |
| Operating Checklist | 15 | | |
| Transporting | 15 | | |
| Operating Instructions | 16 | | |
| Unhook Seed Bed Roller | 17 | | |
| Long-Term Storage | 17 | | |
| General Operating Instructions | 18 | | |
| Section 4: Maintenance & Lubrication | 19 | | |
| Maintenance | 19 | | |
| Lubrication | 19 | | |
| Roller Flange Bearings | 19 | | |
| Wheel Bearings | 19 | | |
| Section 5: Additional Equipment | 20 | | |
| Additional Seeding Equipment | 20 | | |
| Disc Harrow | 20 | | |
| Electric Spin Spreader | 20 | | |
| Drag Harrow | 20 | | |
| Complete One Pass Seed Application | 21 | | |



© Copyright 2023 All rights Reserved

Land Pride provides this publication “as is” without warranty of any kind, either expressed or implied. While every precaution has been taken in the preparation of this manual, Land Pride assumes no responsibility for errors or omissions. Neither is any liability assumed for damages resulting from the use of the information contained herein. Land Pride reserves the right to revise and improve its products as it sees fit. This publication describes the state of this product at the time of its publication, and may not reflect the product in the future.

Land Pride is a registered trademark.

All other brands and product names are trademarks or registered trademarks of their respective holders.

Printed in the United States of America.



Table of Contents Continued

See previous page for Table of contents.



Parts Manual QR Locator

The QR (Quick Reference) code on the left will take you to the Parts Manual for this equipment. Download the appropriate app on your smart phone. Scan the QR code and take a picture.



Dealer QR Locator

The QR code on the left will link you to available dealers for Land Pride products. Refer to Parts Manual QR Locator on this page for detailed instructions.

Listed below are common practices that may or may not be applicable to the products described in this manual.

Safety at All Times

Careful operation is your best assurance against an accident.

All operators, no matter how much experience they may have, should carefully read this manual and other related manuals before operating the power machine and this implement.

- ▲ Thoroughly read and understand the "Safety Label" section. Read all instructions noted on them.
- ▲ Do not operate the equipment while under the influence of drugs or alcohol, as they impair your ability to safely and properly operate the equipment.
- ▲ The operator should be familiar with all functions of the tractor and attached implement, and be able to handle emergencies quickly.
- ▲ Make sure all guards and shields appropriate for the operation are in place and secured before operating the implement.
- ▲ Keep all bystanders away from equipment and work area.
- ▲ Start tractor from the driver's seat with hydraulic controls in neutral.
- ▲ Operate tractor and controls from the driver's seat only.
- ▲ Never dismount from a moving tractor or leave tractor unattended with engine running.
- ▲ Do not allow anyone to stand between the implement and tractor while backing up to the implement.
- ▲ Keep hands, feet, and clothing away from power-driven parts.
- ▲ While transporting and operating equipment, watch out for objects overhead and along the sides such as fences, trees, buildings, wires, etc.
- ▲ Do not turn tractor so tight as to cause hitched implement to ride up on the tractor's rear wheel.
- ▲ Store implement in a safe and secure area where children normally do not play. When needed, secure implement against falling with support blocks.



Look for the Safety Alert Symbol

The SAFETY ALERT SYMBOL indicates there is a potential hazard to personal safety and extra precaution must be taken. When you see this symbol, be alert and carefully read the message that follows it. Hazard control, and accident prevention are dependent upon the awareness, concern, prudence, and proper training of personnel involved in the operation, transport, maintenance, and storage of equipment.

Be Aware of Signal Words

A signal word designates a degree or level of hazard seriousness. They are:

- ▲ **DANGER:** Indicates a hazardous situation that, if not avoided, will result in death or serious injury.
- ▲ **WARNING:** Indicates a hazardous situation that, if not avoided, could result in death or serious injury.
- ▲ **CAUTION:** Indicates a hazardous situation that, if not avoided, may result in minor or moderate injury.

Be Aware of Special Notices

Special notices are intended to point out important and helpful information that should be followed. They are usually placed inside a box. They are:

- ▲ **IMPORTANT:** Indicates that equipment or property damage could result if instructions are not followed.
- ▲ **NOTE:** Indicates supplementary explanations that will be helpful when using the equipment.

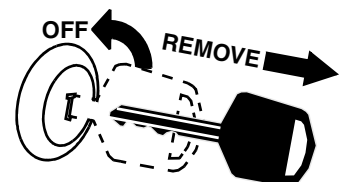
Safety Precautions for Children

Tragedy can occur if the operator is not alert to the presence of children, Children generally are attracted to implements and their work.

- ▲ Never assume children will remain where you last saw them.
- ▲ Keep children out of the work area and under the watchful eye of a responsible adult.
- ▲ Be alert and shut the implement and tractor down if children enter the work area.
- ▲ Never carry children on the tractor or implement. There is not a safe place for them to ride. They may fall off and be run over or interfere with the control of the power machine.
- ▲ Never allow children to operate the power machine, even under adult supervision.
- ▲ Never allow children to play on the power machine or implement.
- ▲ Use extra caution when backing up. Before the tractor starts to move, look down and behind to make sure the area is clear.

Tractor Shutdown & Storage

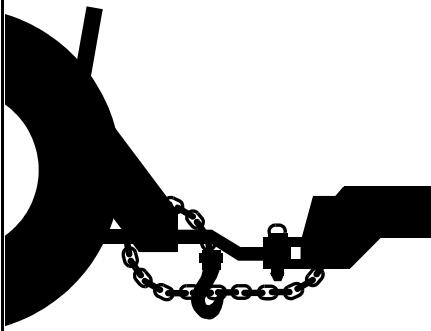
- ▲ If engaged, disengage power take-off.
- ▲ Park on solid, level ground and lower implement to ground or onto support blocks.
- ▲ Put tractor in park or set park brake.
- ▲ Turn off engine and remove ignition key to prevent unauthorized starting.
- ▲ Relieve all hydraulic pressure to auxiliary hydraulic lines.
- ▲ Wait for all components to stop before leaving operator's seat.
- ▲ Use steps, grab-handles and anti-slip surfaces when stepping on and off the tractor.



Listed below are common practices that may or may not be applicable to the products described in this manual.

Use A Safety Chain

- ▲ A safety chain will help control drawn machinery should it separate from the tractor drawbar.
- ▲ Use a chain with the strength rating equal to or greater than the gross weight of the towed implement.
- ▲ Attach the chain to the tractor drawbar support or other specified anchor location. Allow only enough slack in the chain to permit turning.
- ▲ Always hitch the implement to the machine towing it. Do not use the safety chain to tow the implement.



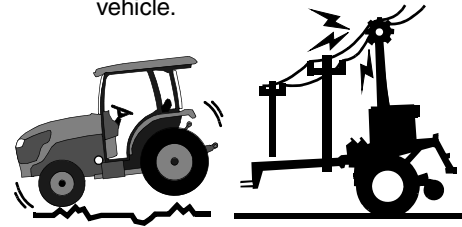
Towing Safely

- ▲ Comply with federal, state, and local laws.
- ▲ Use towing vehicle and trailer of adequate size and capacity. Secure equipment towed on a trailer with chocks, tie downs, and chains.
- ▲ **IMPORTANT:** Do not tow a load that is more than double the weight of the vehicle towing the load.
- ▲ Sudden braking can cause a towed trailer to swerve unexpectedly. Reduce speed if trailer is not equipped with brakes.



Transport Safely

- ▲ Comply with federal, state, and local laws.
- ▲ Avoid contact with any overhead utility lines or electrically charged conductors.
- ▲ Engage park brake when stopped on an incline.
- ▲ Maximum transport speed for an implement is 20 mph (32 km/h). **DO NOT EXCEED.**
- ▲ Never travel at a speed which does not allow adequate control of steering and stopping. Some rough terrains require a slower speed. Sudden braking can cause a towed load to swerve and upset.
- ▲ Do not tow an implement that, when fully loaded, weighs more than 1.5 times the weight of towing vehicle.



Tire Safety

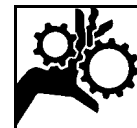
- ▲ Tire changing can be dangerous and must be performed by trained personnel using the correct tools and equipment.
- ▲ Always properly match the wheel size to the properly sized tire.
- ▲ Always maintain correct tire pressure. Do not inflate tires above recommended pressures shown in the Operator's Manual.
- ▲ When inflating tires, use a clip-on chuck and extension hose long enough to allow you to stand to one side and NOT in front of or over the tire assembly. Use a safety cage if available.
- ▲ Securely support the implement when changing a wheel.
- ▲ When removing and installing wheels, use wheel handling equipment adequate for the weight involved.
- ▲ Make sure wheel bolts have been tightened to the specified torque.



Practice Safe Maintenance

- ▲ Understand procedure before doing work. Refer to the Operator's Manual for additional information.
- ▲ Work on a level surface in a clean dry area that is well-lit.
- ▲ Lower implement to the ground and follow all shutdown procedures before leaving the operator's seat to perform maintenance.
- ▲ Do not work under any hydraulically supported equipment. It can settle, suddenly leak down, or be lowered accidentally. If it is necessary to work under the equipment, securely support it with stands or suitable blocking beforehand.
- ▲ Use properly grounded electrical outlets and tools.
- ▲ Use correct tools and equipment for the job that are in good condition.
- ▲ Allow equipment to cool before working on it.

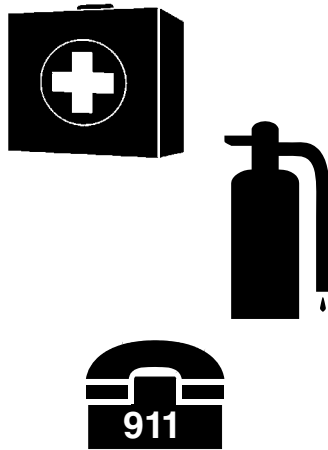
- ▲ Disconnect battery ground cable (-) before servicing or adjusting electrical systems or before welding on implement.
- ▲ Inspect all parts. Make certain parts are in good condition & installed properly.
- ▲ Replace parts on this implement with genuine Land Pride parts only. Do not alter this implement in a way which will adversely affect its performance.
- ▲ Do not grease or oil implement while it is in operation.
- ▲ Remove buildup of grease, oil, or debris.
- ▲ Always make sure any material and waste products from the repair and maintenance of the implement are properly collected and disposed.
- ▲ Remove all tools and unused parts from equipment before operation.
- ▲ Do not weld or torch on galvanized metal as it will release toxic fumes.



Listed below are common practices that may or may not be applicable to the products described in this manual.

Prepare for Emergencies

- ▲ Be prepared if a fire starts.
- ▲ Keep a first aid kit and fire extinguisher handy.
- ▲ Keep emergency numbers for doctor, ambulance, hospital, and fire department near the phone.



Wear Personal Protective Equipment (PPE)

- ▲ Wear protective clothing and equipment appropriate for the job such as safety shoes, safety glasses, hard hat, dust mask, and ear plugs.
- ▲ Clothing should fit snug without fringes and pull strings to avoid entanglement with moving parts.
- ▲ Prolonged exposure to loud noise can cause hearing impairment or hearing loss. Wear suitable hearing protection such as earmuffs or earplugs.
- ▲ Operating a machine safely requires the operator's full attention. Avoid wearing headphones while operating equipment.



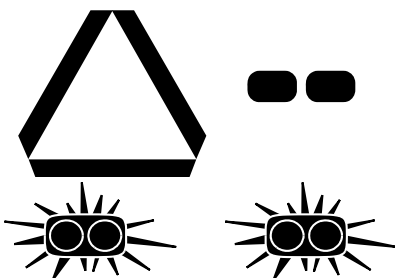
Avoid High Pressure Fluids

- ▲ Escaping fluid under pressure will penetrate the skin or eyes causing serious injury.
- ▲ Relieve all residual pressure before disconnecting hydraulic lines or performing work on the hydraulic system.
- ▲ Make sure all hydraulic fluid connections are properly tightened/torqued and all hydraulic hoses and lines are in good condition before applying pressure to the system.
- ▲ Use a piece of paper or cardboard, NOT BODY PARTS, to check for suspected leaks.
- ▲ Wear protective gloves and safety glasses or goggles when working with hydraulic systems.
- ▲ **DO NOT DELAY.** If an accident occurs, seek immediate emergency medical care or gangrene may result.



Use Safety Lights and Devices

- ▲ A slow moving power machine can create a hazard when driven on public roads. They are difficult to see, especially at night.
- ▲ Flashing warning lights and turn signals are recommended whenever driving on public roads.
- ▲ For tractors and other agriculture equipment, a Slow Moving Vehicle (SMV) sign is required when traveling on public roads.



Use Seat Belt and ROPS

- ▲ Land Pride recommends the use of a CAB or roll-over-protective-structures (ROPS) and seat belt in almost all power machines. Combination of a CAB or ROPS and seat belt will reduce the risk of serious injury or death if the power machine should be upset.
- ▲ If ROPS is in the locked-up position, fasten seat belt snugly and securely to help protect against serious injury or death from falling and machine overturn.



Keep Riders Off Machinery

- ▲ Never carry riders on the tractor or implement.
- ▲ Riders obstruct operator's view and interfere with the control of the power machine.
- ▲ Riders can be struck by objects or thrown from the equipment.
- ▲ Never use the tractor or implement to lift or transport riders.



Listed below are common practices that may or may not be applicable to the products described in this manual.

Avoid Crystalline Silica (Quartz) Dust

Because crystalline silica is a basic component of sand and granite, many activities at construction sites produce dust containing crystalline silica. Trenching, sawing, and boring of material containing crystalline silica can produce dust containing crystalline silica particles. This dust can cause serious injury to the lungs (silicosis).

There are guidelines which should be followed if crystalline silica (quartz) is present in the dust.



- ▲ Be aware of and follow OSHA (or other local, State, or Federal) guidelines for exposure to airborne crystalline silica.
- ▲ Know the work operations where exposure to crystalline silica may occur.
- ▲ Participate in air monitoring or training programs offered by the employer.
- ▲ Be aware of and use optional equipment controls such as water sprays, local exhaust ventilation, and enclosed cabs with positive pressure air conditioning if the machine has such equipment. Otherwise respirators shall be worn.
- ▲ Where respirators are required, wear a respirator approved for protection against crystalline silica containing dust. Do not alter respirator in any way. Workers who use tight-fitting respirators can not have beards/mustaches which interfere with the respirator seal to the face.
- ▲ If possible, change into disposable or washable work clothes at the work site; shower and change into clean clothing before leaving the work site.
- ▲ Do not eat, drink, use tobacco products, or apply cosmetics in areas where there is dust containing crystalline silica.
- ▲ Store food, drink, and personal belongings away from the work area.
- ▲ Wash hands and face before eating, drinking, smoking, or applying cosmetics after leaving the exposure area.

Handle Chemicals Properly

- ▲ Protective clothing should be worn.
- ▲ Handle all chemicals with care.
- ▲ Follow instructions on container label.
- ▲ Agricultural chemicals can be dangerous. Improper use can seriously injure persons, animals, plants, soil, and property.
- ▲ Inhaling smoke from any type of chemical fire can be a serious health hazard.
- ▲ Store or dispose of unused chemicals as specified by the chemical manufacturer.



Dig Safe - Avoid Underground Utilities

- ▲ USA: Call 811
CAN: <http://www.clickbeforeyoudig.com>
- ▲ Always contact your local utility companies (electrical, telephone, gas, water, sewer, and others) before digging so that they may mark the location of any underground services in the area.
- ▲ Be sure to ask how close you can work to the marks they positioned.





This page left blank intentionally.

Important Safety Information

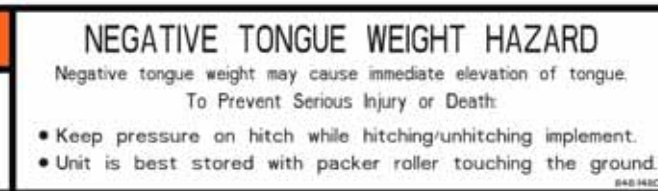
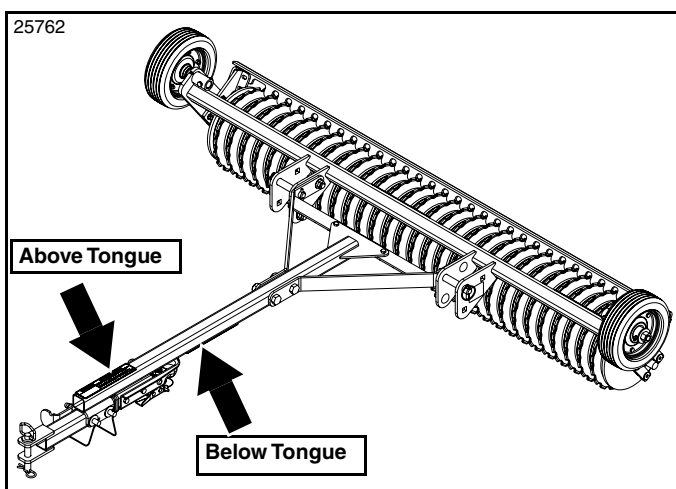
Safety Labels

Your Seed Bed Roller comes equipped with all safety labels in place. They were designed to help you safely operate your implement. Read and follow their directions.

1. Keep all safety labels clean and legible.
2. Refer to this section for proper label placement. Replace all damaged or missing labels. Order new labels from your nearest Land Pride dealer. To find your nearest dealer, visit our dealer locator at www.landpride.com.
3. Some new equipment installed during repair requires safety labels to be affixed to the replaced component as

specified by Land Pride. When ordering new components make sure the correct safety labels are included in the request.

4. Refer to this section for proper label placement. To install new labels:
 - a. Clean surface area where label is to be placed.
 - b. Spray soapy water onto the cleaned area.
 - c. Peel backing from label and press label firmly onto the surface.
 - d. Squeeze out air bubbles with edge of a credit card or with a similar type of straight edge.



73642

848-148C

Warning: Negative Tongue Weight Hazard

2 Places: Located below and above the tongue

Introduction

Land Pride welcomes you to the growing family of new product owners. This Seed Bed Roller has been designed with care and built by skilled workers using quality materials. Proper assembly, maintenance, and safe operating practices will help you get years of satisfactory use from this implement.

Application

The Land Pride SBR72 Three-point hitch or Pull-Type Seed Bed Rollers have uses and applications in landscaping, sports field maintenance, pasture maintenance, professional turf care, general seeding, and overseeding applications around home sites, construction sites, horse paddocks, nurseries, sod farms, and small farm or ranch operations. These Seed Bed Rollers will break up smaller clumps and dirt clods, while pressing applied seed into firm contact with the soil profile for greatly improved germination rates. The notched profile of the rollers also develops a pattern of uniformly spaced mini-furrows that tend to hold seed and fertilizer in place. These small furrows also retain essential moisture, and resist erosion from wind and runoff from applied irrigation or rain.

The Seed Bed Roller also can also serve as the roller packer attachment of Land Pride's complimented Seeder/Overseeder system. This system is comprised of a Land Pride Disc Harrow with a rear mounted Spin Spreader and special hitch kit, a trailing 6' x 4' (1.22 x 1.53 m) DRG06 Drag Harrow, and trailing Pull-type SBR72 Seed Bed Roller. This componentized Seeder/Overseeder system provides for one-pass ground cultivation and seed to soil integration for applications on previously tilled soil, existing pasture ground, large grassy areas, reclamation sites, or wild game food plots.

See "**Specifications & Capacities**" on page 22 and "**Features and Benefits**" on page 23 for additional information and performance enhancing options.

Using This Manual

- This Operator's Manual is designed to help familiarize the operator with safety, assembly, operation, adjustments, troubleshooting, and maintenance. Read this manual and follow the recommendations to help ensure safe and efficient operation.
- The information contained within this manual was current at the time of printing. Some parts may change slightly to assure you of the best performance.
- To order a new Operator's or Parts Manual, contact your authorized dealer. Manuals can also be downloaded, free-of-charge, from our website at www.landpride.com

Terminology

"Right" or "Left" as used in this manual is determined by the direction the operator faces while sitting in the operator's seat looking forward unless otherwise stated.

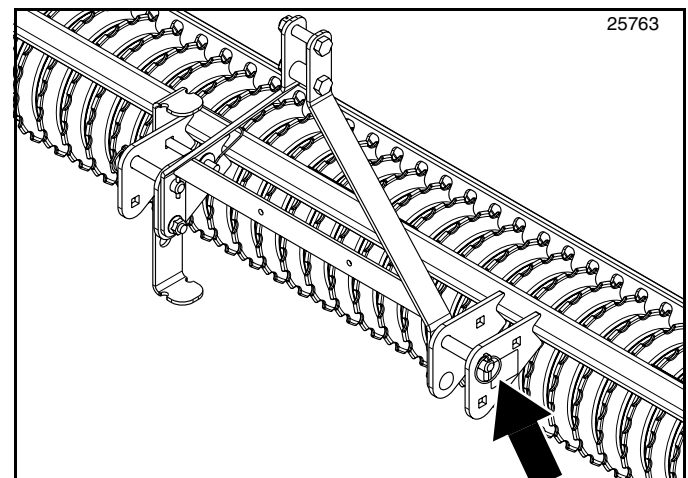
Owner Assistance

The dealer should complete the Online Warranty Registration at the time of purchase. This information is necessary to provide you with quality customer service.

The parts on your Seed Bed Roller have been specially designed by Land Pride and should only be replaced with genuine Land Pride parts. Contact a Land Pride dealer if customer service or repair parts are required. Your Land Pride dealer has trained personnel, repair parts, and equipment needed to service the implement.

Serial Number

For quick reference and prompt service, record model and serial number on the inside cover page and again on the warranty page. Always provide model number and serial number when ordering parts and in all correspondences with your Land Pride dealer. For location of your serial number plate, see Figure 1.



**Serial Number Plate Location
Figure 1**

Further Assistance

Your dealer wants you to be satisfied with your new Seed Bed Roller. If for any reason you do not understand any part of this manual or are not satisfied with the service received, the following actions are suggested:

1. Discuss any problems you have with your implement with your dealership service personnel so they can address the problem.
2. If you are still not satisfied, seek out the owner or general manager of the dealership, explain the question/problem, and request assistance.
3. For further assistance write to:

Land Pride Service Department

1525 East North Street

P.O. Box 5060

Salina, Ks. 67402-5060

E-mail address

lpSERVICE@landpride.com

Section 1: Assembly & Set-up

Tractor Requirements

The tractor horsepower and weight must be capable of controlling the Seed Bed Roller under all operating conditions. Smaller horsepower and lighter weight tractors must not be used.

Three-Point Hook-up

WARNING

To avoid serious injury or death:

Lightweight tractors with rear attached implements may need weights added to the front to maintain steering control.

Consult your tractor Operator's Manual to determine weight requirements and maximum limitations.

A Category I hitch with 7/8" dia. holes in the lower hitch links and 3/4" dia. hole in the top link is required. The lower 3-Point arms must be stabilized to prevent side-to-side movement. Most tractors have sway blocks or adjustable chains for this purpose. A Category II Land Pride Quick Hitch can be used with the implement.

Horsepower requirements 18-52 hp (11.2-38.8 kW)

Minimum tractor weight 700 lbs.

Pull Type Hook-Up

The Pull Type Model is set-up with a 2" ball hitch and a clevis type hitch.

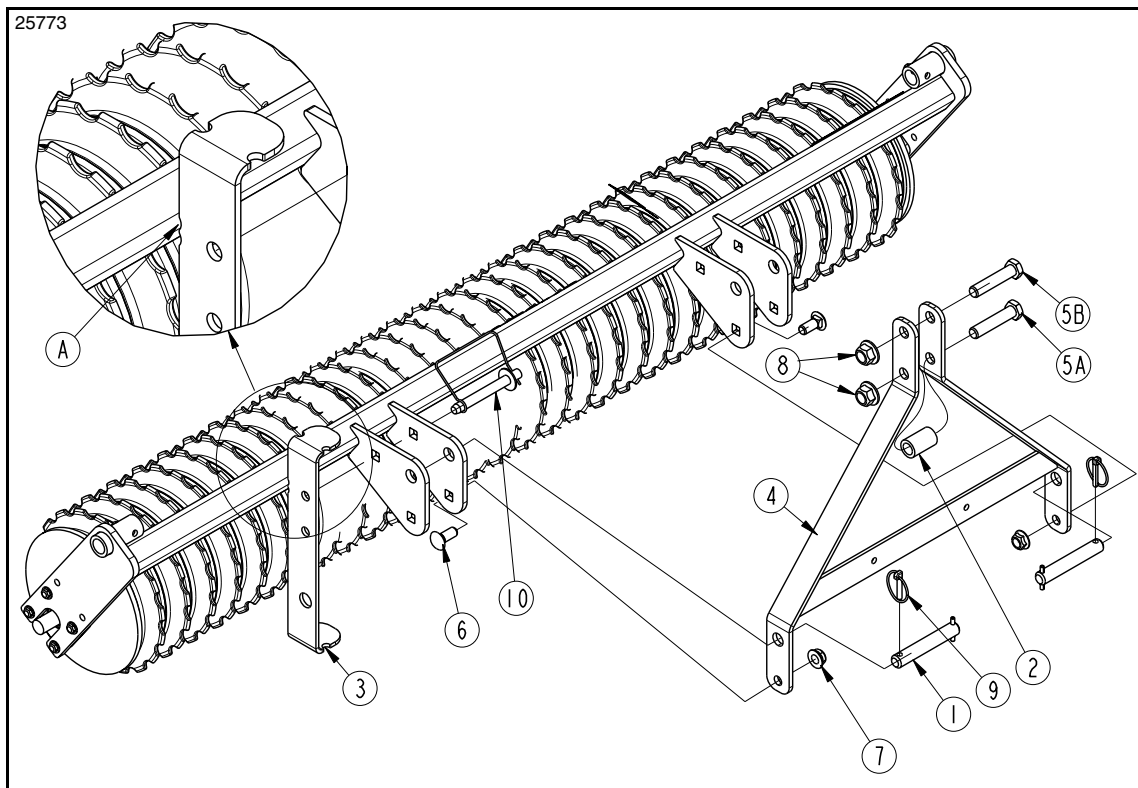
Pull-type horsepower. 18-50 hp (13.4-37.3 kW)

Three Point Hitch Assembly

Refer to "Torque Values Chart For Common Bolt Size" on page 24 when tightening hardware.

Refer to Figure 1-1:

1. Chock front and back of rollers to prevent unit from shifting while assembling the hitch assembly.
2. Attach support stand (#3) to clevis plate with 5/8" wire snap lock pin (#10). Make certain notch "A" is located against the square tubing corner as shown.
3. Attach bottom of hitch frame (#4) to clevis plates with two 5/8"-11 x 1 1/2" GR5 round head square neck bolts (#6) and 5/8" hex flange locknuts (#7). Draw nuts up snug, do not tighten.
4. Attach upper two holes in hitch frame to clevis plates with hitch pins (#1) and linchpins (#9)
5. Install 3/4"-10 x 3 1/2" GR5 hex head cap screw (#5A) with 1 1/4" x 2" spacer (#2) and 3/4" hex flange locknut (#7). Tighten nut to the correct torque.
6. Install 3/4"-10 x 3 1/2" GR5 hex head cap screw (#5B) and 3/4" hex flange locknut (#8).
7. Tighten 5/8" hex flange locknuts (#7) to the correct torque.



**Three point Hitch Assembly
Figure 1-1**

Section 1: Assembly & Set-up

Pull Type Hitch Assembly (Optional)

Refer to “Torque Values Chart For Common Bolt Size” on page 24 when tightening hardware.

Refer to **Figure 1-2 & Figure 1-3:**

1. Chock front and back of rollers to prevent unit from shifting. Support 2" square tube frame up so that the top of the clevis plates are level.
2. Remove support stand (#3) and wire snap lock pin (#1A) from the clevis plates (shipping location).
3. The front two holes in hitch frame (#4) should be shipped from the factory attached to the front holes in the clevis plates with hitch pins (#17) and linchpins (#11). If not, make this pin connection now.
4. Rotate hitch frame (#4) down to align rear holes in hitch frame with holes at the back of the clevis plates. Insert 5/8"-11 x 1 1/2" GR5 carriage bolts (#10) and secure with 5/8" hex flange lock nuts (#16). Draw nuts up snug, do not tighten.
5. Remove 3/4" hex cap screws (#9), 2" spacer (#2) and 3/8" cap screws (#8) from hitch frame (#4).

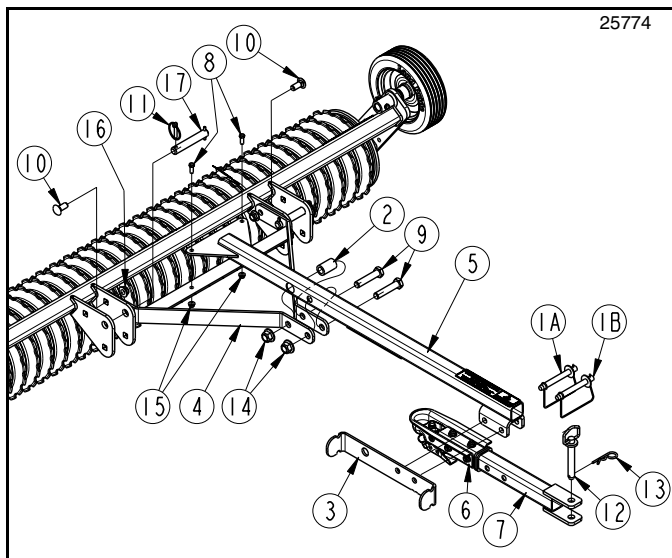
IMPORTANT: The tongue (#5) should be as near level as possible when pulling the roller over soil. Before proceeding, determine which hitch assembly below to use that will mount the tongue near level.

- Use hitch assembly in Figure 1-2 to mount tongue (#5) if tractor drawbar is lower than 13"
- Use hitch assembly in Figure 1-3 to mount tongue (#5) if tractor drawbar is 13" or higher.

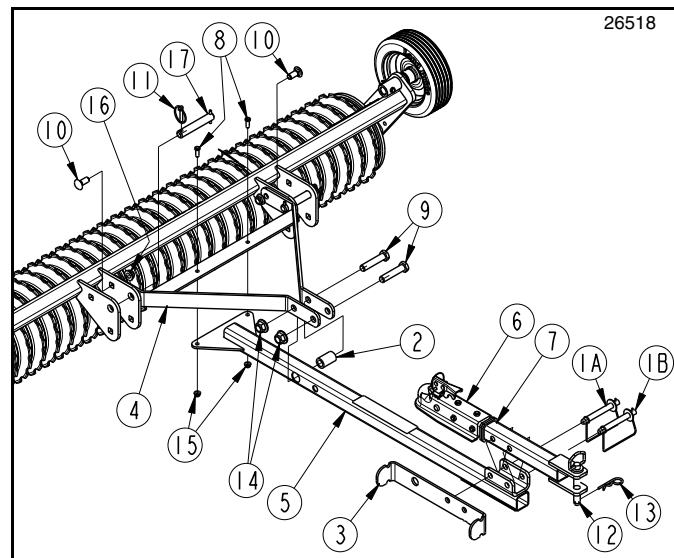
6. Attach tongue (#5) to 3-Point hitch (#4) as follows:
 - a. Remove bolts (#8) from back of tongue (#5).
 - b. Attach middle of tongue to hitch (#2) with two 3/4"-10 x 3 1/2" GR5 cap screws (#9), one 2" lg. spacer (#2), and two 3/4" flange locknuts (#14).
 - c. Attach back of tongue with two 3/8"-16 x 1" GR5 cap screws (#8) and 3/8" flange locknuts (#15).
7. Tighten flange locknuts (#14, #15 & #16) to the correct torques.

NOTE: See Figure 1-3. Ball hitch (#6) and clevis hitch (#7) can be installed with either hitch facing forward. Determine which hitch you intend to use and face that hitch forward.

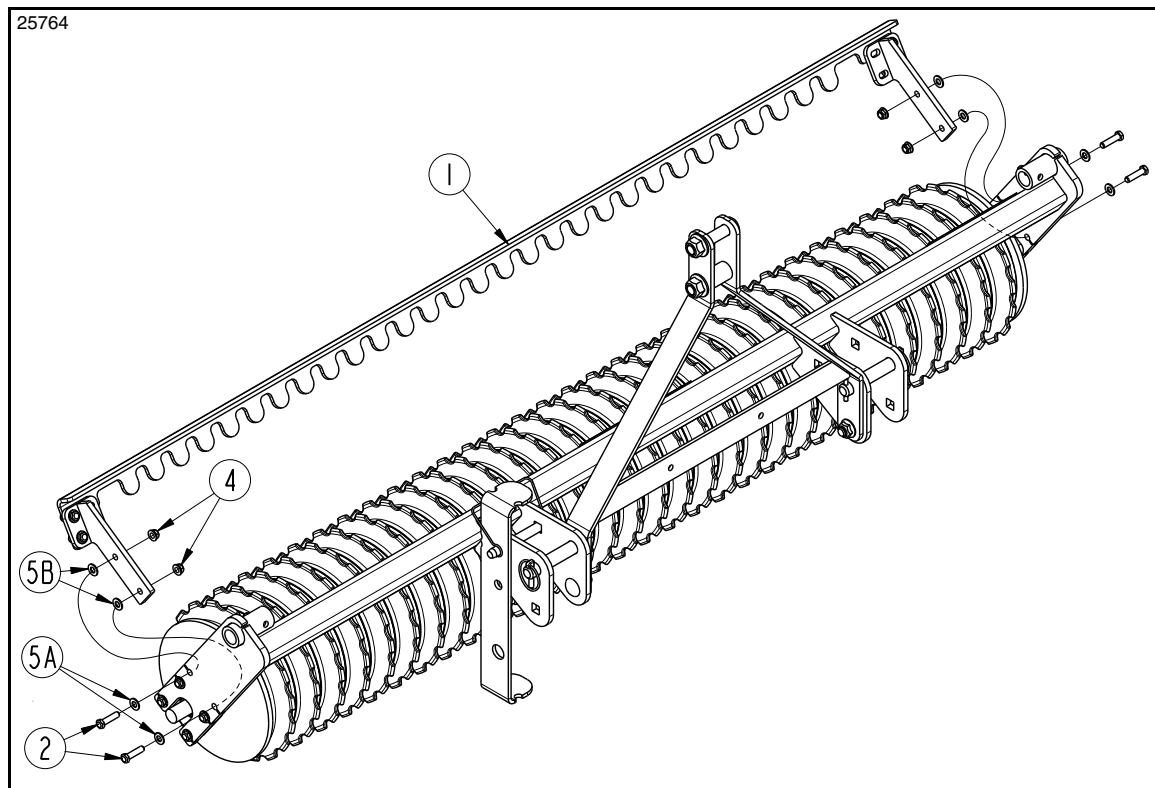
8. Remove wire snap lock pin (#1B). Reorient ball hitch (#6) and clevis hitch (#7) with preferred hitch facing forward and then reattach hitch to tongue (#5) with wire snap lock pins (#1A & 1B).
9. Attach support stand (#3) to wire snap lock pin (#1A). When not in use, rotate stand up and secure in place with second wire snap lock pin (#1B).
10. If clevis hitch (#7) is facing forward, insert 3/4" hitch pin (#12) and secure with hair pin cotter (#13). If ball hitch (#6) is facing forward, store hitch pin and hair pin cotter in a safe location of your choosing.



**Pull Type Hitch Assembly
With Drawbar 13" & Higher
Figure 1-2**



**Pull Type Hitch Assembly
With Drawbar under 13" High
Figure 1-3**



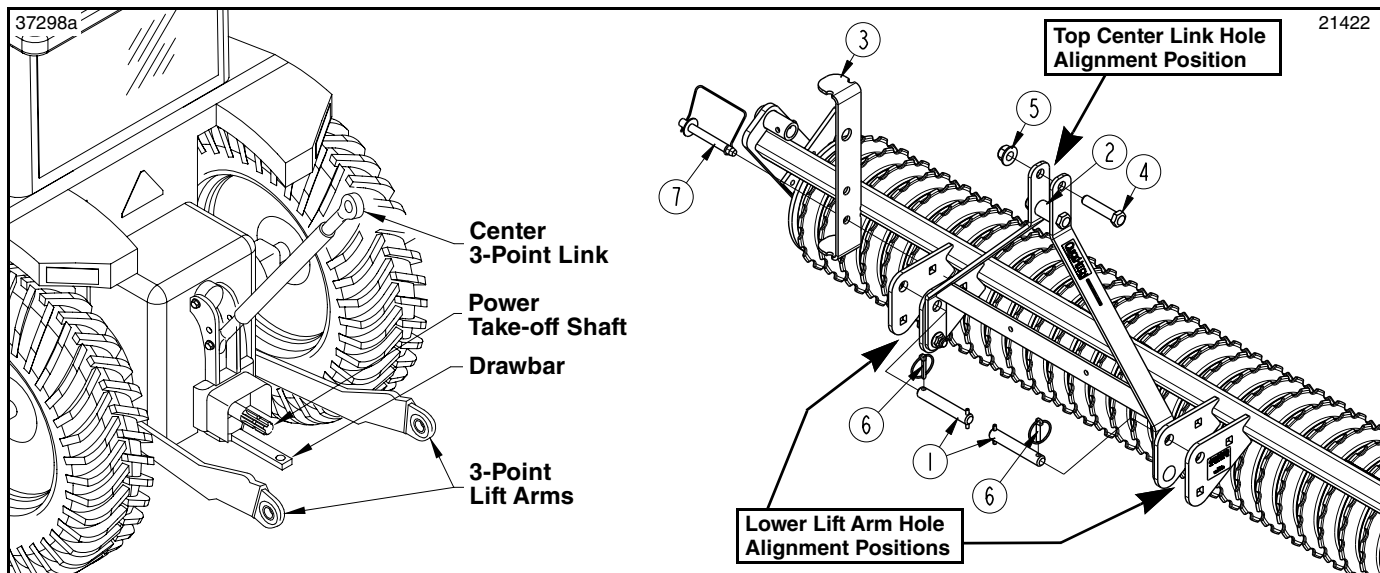
Roller Scraper Assembly
Figure 1-4

Roller Scraper Assembly

Refer to “Torque Values Chart For Common Bolt Size” on page 24 when tightening hardware.

Refer to Figure 1-4 on page 10:

1. Attach roller scraper assembly to the Seed Bed Roller frame by inserting 3/8"-16 x 1 1/2" GR5 hex head cap screws (#2) through flat washers (#5A), roller frame, flat washers (#5B), and hex flange locknuts (#4).
2. Tighten locknuts to the correct torque.
3. Some adjustment to the scraper teeth can be made by loosening nuts on scraper (#1). Tighten nuts after adjustment has been made. See “**Scraper Bar Adjustment**” on page 14 for detailed instructions.



Tractor 3-Point Hook-up to Seed Bed Roller
Figure 1-5

3-Point Hook-Up

Refer to Figure 1-5:



WARNING

To avoid serious injury or death:

- See Figure 3-5 on page 18. Chock front and back of roller when using support stand to prevent unit from rolling and causing property damage and/or bodily injury.
- Lightweight tractors with rear attached implements may need weights added to the front to maintain steering control. Consult your tractor Operator's Manual to determine weight requirements and maximum limitations.
- Always shut tractor down according to "Tractor Shutdown Procedure" provided in this manual before allowing anyone including the operator to hook up or unhook the implement.

A 3-Point Category I hitch is required. The lower 3-Point arms of the 3-Point hitch must be stabilized to prevent side-to-side movement. Most tractors have sway blocks or adjustable chains for this purpose.

1. Slowly back tractor up to the Seed Bed Roller while using the tractor's 3-Point hydraulic control to align the lower lift arm hitch holes with the clevis lug holes on the Seed Bed Roller.
2. Engage tractor park brake, shut tractor engine off and remove key before dismounting from tractor.
3. With lower lift arm hitch holes aligned with clevis lug holes, insert hitch pins (#1) through clevis and lower arm holes. Secure hitch pins with linchpins (#6).
4. Align top center link hitch hole with the upper hitch holes and insert 3/4" bolt (#4). Secure bolt with flange locknut (#5). Draw nut up snug.
5. Ensure lower hitch arms are blocked to prevent excessive side movement.
6. Return to the tractor, start engine, and slowly operate 3-Point controls to lift lower arms up just enough to raise support stand (#3) off the ground.
7. Engage tractor park brake, shut tractor engine off and remove key before dismounting from tractor.
8. Remove support stand (#3), turn it over, and reattach it as shown with wire snap lock pin (#7). (Remember: Small notches in stand are mounted towards the frame tube.)
9. Operate 3-Point controls up and down to check for clearance between the Seed Bed Roller and tractor. Move or remove tractor drawbar if it interferes with the Seed Bed Roller.
10. Manually adjust one of the two Lower lift arms up or down to level the Seed Bed Roller from left to right. Manually adjust the length of the top center link to level the Seed Bed Roller from front to rear.
11. When using a Quick Hitch, attach center hook to 1 1/4" spacer (#2) and lower hooks to hitch pins (#1).

Section 1: Assembly & Set-up

Pull-type Hook-up

⚠ WARNING

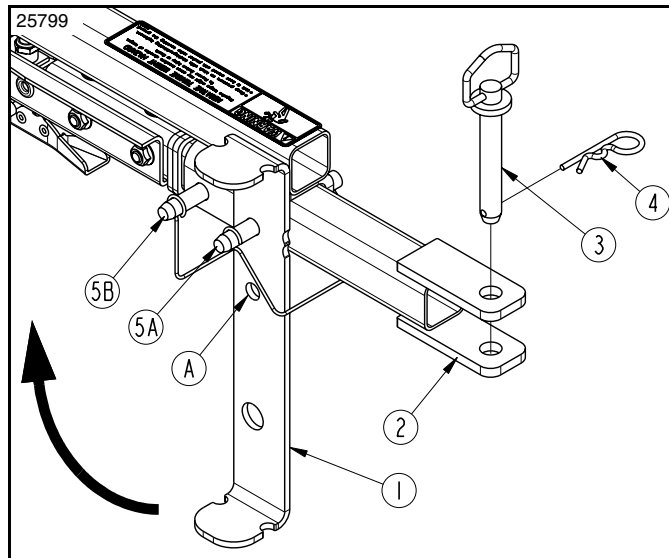
To avoid serious injury or death:

- The Seed Bed Roller hitch has negative weight.
- See Figure 3-5 on page 18. Chock front and back of roller when using support stand to prevent unit from rolling and causing property damage and/or bodily injury.
- Lightweight tractors with rear attached implements may need weights added to the front to maintain steering control. Consult your tractor Operator's Manual to determine weight requirements and maximum limitations.
- Always shut tractor down according to "Tractor Shutdown Procedure" provided in this manual before allowing anyone including the operator to hook up or unhook the implement.

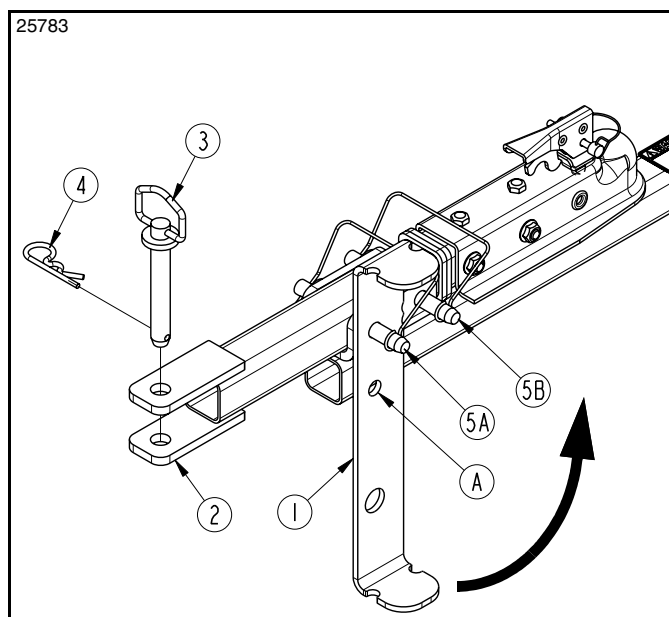
Clevis Hook-up

Refer to Figure 1-6 & Figure 1-7:

1. Back machine up to the Seed Bed Roller until hole in drawbar hitch is aligned with holes in the clevis hitch.
2. Dismount machine properly and insert hitch pin (#3) through hitch clevis holes and drawbar hitch hole. Install hair pin cotter (#4).
3. Without removing wire snap lock pins (#5A & #5B):
 - Unhook wire retainers for both pins (#5A & #5B).
 - Rotate bottom of support stand (#1) back until hole "A" is in alignment with wire snap lock pin (#5B).
 - Push support stand onto both wire snap lock pins and re-hook wire retainers.



Clevis Hook-up (Tractor drawbar height under 13")
Figure 1-6



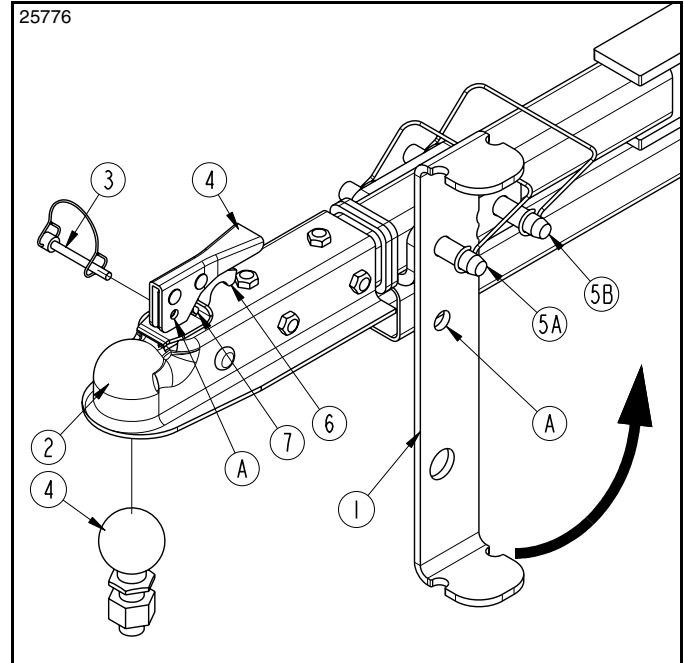
Clevis Hook-up (Tractor drawbar height 13" and higher)
Figure 1-7

Section 1: Assembly & Set-up

Ball Hook-up

Refer to Figure 1-8:

1. Attach customer supplied 2" ball (#8) to the machine pulling the Seed Bed Roller. Tighten nut supplied with the ball to correct torque. 2" Ball with 3/4" shank (P/N 890-975C) can be purchased from Land Pride.
2. Back machine up to the Seed Bed Roller until the 2" ball is in alignment with ball socket in hitch (#2).
3. Remove retaining pin (#3), pull up on lock latch trigger (#6) and then pull up on release handle (#4).
4. With handle (#4) up, lower hitch (#2) over 2" ball (#8).
5. Make sure hitch (#2) is fully on ball (#8) and then push handle (#4) down until lock latch (#6) is secured in notch (#7).
6. Insert wire retaining pin (#3) in hole "A" and secure pin in place with its wire retainer.
7. Without removing the two front wire snap lock pins (#5A & #5B):
 - Unhook wire retainers for both pins (#5A & #5B).
 - Rotate bottom of support stand (#1) back until hole "A" is in alignment with wire snap lock pin (#5B).
 - Push support stand onto both wire snap lock pins and re-hook wire retainers.



Ball Hook-up (Drawbar height 13" and higher)
Figure 1-8

Section 2: Adjustments

Scraper Bar Adjustment

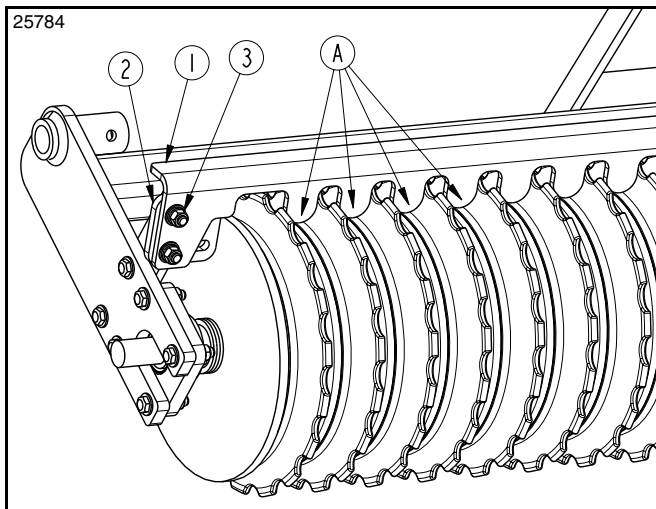
Refer to Figure 2-1:

IMPORTANT: Scraper bar must be adjusted with rear roller resting on the ground to ensure roller rings are in their upper most position.

1. Slightly loosen hex nuts (#3) on both ends of the scraper bar (#1). Nuts should be loose enough to allow scraper bar movement but tight enough to hold scraper bar in place until nuts have been tightened.

IMPORTANT: Tapping with a hammer may be required to move scraper bar (#1). When doing so, be sure to place a block of wood in the area to be tapped. Tap hammer against the wood and not the scraper bar to help protect the finish.

2. Adjust scraper bar (#1) left or right to center scraper teeth (#A) in the roller flutes and up or down until the teeth just clear the bottom of the roller flutes. Some light tapping with a hammer against a properly placed block of wood may be required to move the scraper bar.
3. Tighten 3/8"-16 nuts (#3) to the correct torque. Refer to "**Torque Values Chart For Common Bolt Size**" on page 24.



**Scraper Adjustment
Figure 2-1**

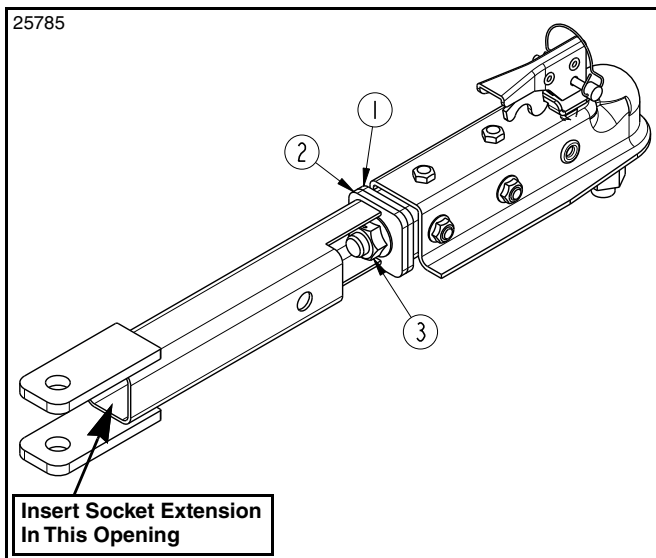
Ball Hitch Swivel Adjustment

Refer to Figure 2-2:

IMPORTANT: Hex flange locknut (#3) should be adjusted tight enough so that the two mating plates (#1 & #2) make contact but loose enough so that the plates can rotate against each other.

A 16" long socket extension and 1 1/8" hex socket will be required to reach the 3/4" hex flange nut (#3).

1. Hold plate (#1) from turning and tighten hex flange nut (#3) until plate (#1) is against plate (#2).
2. Rotate ball hitch about plate (#2) by hand. If ball hitch will not rotate, back nut (#3) off until it will rotate.



**Ball Hitch Swivel Adjustment
Figure 2-2**



Section 3: Operating Procedures

Operating Checklist

Hazard control and accident prevention are dependent upon the awareness, concern, prudence, and proper training involved in the operation, transport, storage, and maintenance of the Seed Bed Roller. Therefore, it is absolutely essential that no one operates the roller unless they have read, fully understood, and are totally familiar with the Operator's Manual. Make sure the operator has paid particular attention to:

- **Important Safety Information**, page 1
- **Section 1: Assembly & Set-up**, page 8
- **Section 2: Adjustments**, page 14
- **Section 3: Operating Procedures**, page 15
- **Section 4: Maintenance & Lubrication**, page 19

Perform the following inspections before using your Seed Bed Roller.

Operating Checklist

| ✓ | Check | Page |
|---|---|------|
| ✓ | Check 3-Point hook-up procedure. Be sure all pins have been installed and are secured. | 11 |
| ✓ | Check Pull Type Hook-up procedure. Be sure hitch pin or ball hitch is secured to the draw bar. | 12 |
| ✓ | Check optional rear scraper. Make sure it has been adjusted and all bolts are tight. | 14 |
| ✓ | Check ball hitch swivel. Make sure the swivel nut is properly tightened. | 14 |
| ✓ | Make sure the operator has read and knows how to operate the Seed Bed Roller. | 15 |
| ✓ | Make sure the Seed Bed Roller has been lubricated as required. | 19 |
| ✓ | Check Seed Bed Roller initially and periodically for loose bolts & pins, Tighten bolts to the correct torque. | 24 |

Make the following inspections if the Seed Bed Roller is attached to a 3-Point lift:

1. Inspect tractor safety equipment. Make sure the tractor is in good working condition.
2. Carefully raise and lower the implement to ensure that the tractor drawbar, tires, and other equipment on the tractor do not contact the frame and roller.
3. Make sure the lower 3-Point arms are stabilized to prevent side-to-side movement. Most tractors have sway blocks or adjustable chains for this purpose.
4. Check tractor ballast. Ballast may need to be added to your tractor to maintain steering control. Refer to your tractor Operators Manual to determine whether or not to add ballast.

Make the following inspections if the Seed Bed Roller is attached to a drawbar:

1. Inspect safety equipment of the machine pulling the Seed Bed Roller. Make sure the machine is in good working condition.
2. Inspect levelness of tongue when setting-up. See **“Important Note”** in box on page 9. Turn hitch assembly over if needed by removing bolts (#10) and pins (#17) shown in Figure 1-2 on page 9. Replace bolts and pins with clips after turning hitch assembly over. Be sure to tighten the nuts to the correct torque.

Transporting

WARNING

To avoid serious injury or death:

This roller is NOT designed to be pulled on public roads. A safety chain must be used when traveling on public roads. Day or night, use accessory lights and other devices for adequate warning to operators of other vehicles. It is mandatory to comply with all federal, state, and local laws.

CAUTION

Never transport your Seed Bed Roller at speeds in excess of 10 miles per hour while carrying the roller on its wheels.

1. The 3-Point Seed Bed Roller should be lifted as high as possible to clear the ground when transporting.
2. The frame and scrapers on the pull type Seed Bed Roller are low to the ground while in transport position. Be careful not to hit objects protruding from the ground with the Seed Bed Roller.
3. Leave enough clearance on both sides of the Seed Bed Roller when traveling straight and when making turns to keep the unit from contacting obstacles such as buildings, trees, and fences. Always reduce ground speed when turning.
4. Select a safe ground travel speed when transporting from one area to another. Do not travel over 10 MPH while carrying the Seed Bed Roller on its wheels.
5. Always travel on roadways in such a way that faster moving vehicles may pass you safely.
6. Slow down when traveling over rough or hilly terrain.
7. Never back-up with the Seed Bed Roller down.
8. Be aware of negative hitch weight on the pull type Seed Bed Roller when in transporting. Negative hitch weight can cause loss of vehicle control. Add weight to the rear of the vehicle if needed.
9. Do not transport on a public roads with roller down. Damage to unit and/or road may occur.

Section 3: Operating Procedures

Operating Instructions

WARNING

To avoid serious injury or death:

- Do not use implement as a man lift, work platform or as a wagon to carry objects. It is not properly designed or guarded for this use.
- Do not use implement to lift objects; to pull objects such as fence posts, stumps, etc; or to push objects. The unit is not designed or guarded for these uses.
- Never carry riders on the implement or tractor. Riders can obstruct the operator's view, interfere with controls, be pinched by moving components, become entangled in rotating components, struck by objects, thrown about, fall off and be run over, etc.
- Be careful when lowering pull type roller to ground. Make sure no one is under, behind, or near the unit when lowering. The roller is very heavy and can crush someone. The hitch can also flip over suddenly and hit someone.

IMPORTANT: Damage to the 3-Point Seed Bed Roller can occur if the unit is not raised off of the ground before making sharp turns.

IMPORTANT: Damage to pull type Seed Bed Roller can occur to tongue and machine pulling the unit if too sharp a turn is made.

CAUTION

To avoid minor or moderate injury:

- Be aware of negative hitch weight when unhooking the Seed Bed Roller while in transport position. The hitch can suddenly swing up.
- Be aware of positive hitch weight when unhooking the Seed Bed Roller while in field position. The hitch can suddenly drop while unhooking the unit.

1. Lower Seed Bed Roller to the ground as follows:

3-Point Type:

- a. Lower roller to the ground using the tractor's 3-Point lift controls. Make any required final adjustments to the 3-Point lower arms and center link as outlined in step 10 on page 11.

Pull-Type:

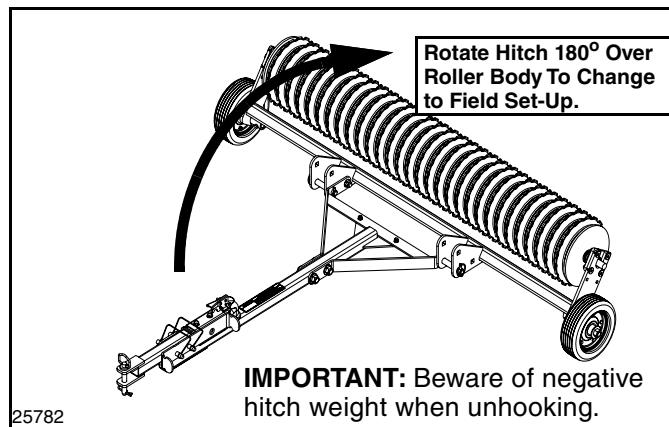
a. **Transport Position to Field Position:**

Lower roller to ground by unhooking from the pulling machine and lifting up and rotating the hitch 180° up over the roller body as shown in Figure 3-1. Re-hook hitch to the drawbar. If using ball hitch, rotate ball hitch 180° to re-hookup.

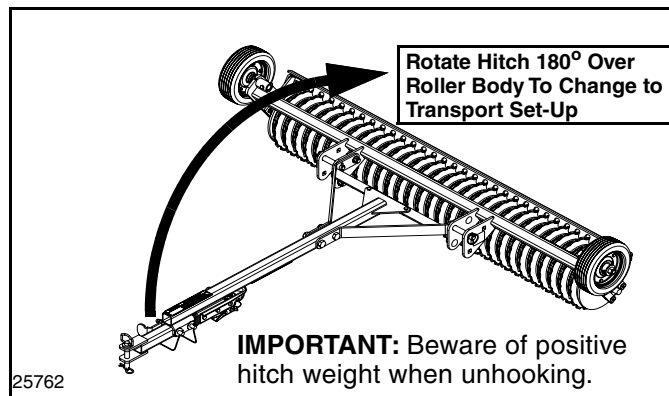
b. **Field Position to Transport Position:**

Raise roller for transporting by unhooking from the pulling machine, lifting up, and rotating the hitch 180° up over the roller body as shown in Figure 3-2. Re-hook hitch to the machine. If using ball hitch, rotate ball hitch 180° to re-hookup.

2. With the roller on the ground, travel straight forward at a safe speed of 3 to 5 MPH. Allow room to make wide turns or lift the unit out of the ground to make sharp turns. Make wide turns when:
 - 3-Point Type: Always raise the Seed Bed Roller off the ground before turning around at the end of a run and when making sharp corners.
 - Pull-Type: Make sure the tires on the machine pulling the Seed Bed Roller do not make contact with the tongue and if attached, drag harrow chain.
3. Do not operate in reverse (traveling backwards) with the roller on the ground. The Seed Bed Roller is designed for working soil while traveling forward only. Damage to the frame may occur.
4. It is best to cross ditches straight on, to make full roller contact with the soil.



Pull-Type Set-Up (Transport Set-Up Shown)
Figure 3-1



Pull-Type Set-Up (Field Set-Up Shown)
Figure 3-2



Section 3: Operating Procedures

Unhook Seed Bed Roller

WARNING

To avoid serious injury or death:

Always shut tractor down according to “Tractor Shutdown Procedure” provided in this manual before allowing anyone including the operator to hook up or unhook the implement.

3-Point Type

1. See Figure 1-1 on page 8. Set support stand in park position.
2. Lower Seed Bed Roller onto a level solid surface. The roller may start rolling while unhooking if not on level ground.
3. Shut tractor engine off and engage parking brake.
4. Ensure that the unit is stable. Chock front and back of rear roller if needed especially if unit is not on level ground.
5. Disconnect top center link from the Seed Bed Roller.
6. Disconnect the lower 3-Point lift arms from the Seed Bed Roller.

Pull Type

WARNING

To avoid serious injury or death:

- Be careful when lowering pull type roller to ground. Make sure no one is under, behind, or near the unit when lowering. The roller is very heavy and can crush someone. The hitch can also flip over suddenly and hit someone.
- Chock front and back of roller when using support stand to prevent unit from rolling and causing property damage and/or bodily injury.

1. Park on a level solid surface. The roller may start rolling while unhooking if not on level ground.
2. Shut vehicle engine off and engage parking brake.
3. Ensure that the unit is stable. Chock front and back of rear roller to prevent unit from rolling.
4. Disconnect clevis hitch or ball hitch from machine towing the Seed Bed Roller.
5. If in transport, rotate hitch 180° over the roller body to rest unit on the rollers and not on the wheels.
6. Set support stand in park position. (See Figure 3-5 on page 18.)
7. See Long-Term Storage below for alternate positions to store pull type unit.

Long-Term Storage

Clean, inspect, service, and make necessary repairs to the attachment when storing it for long periods and at the end of the season. This will help ensure the unit is ready for field use the next time you hook-up to it.

1. Clean off any dirt or grease that may have accumulated on the roller and moving parts. Scrape off compacted dirt and then wash the surface thoroughly with a garden hose.
2. Inspect for loose, damaged, or worn parts and adjust or replace as needed.
3. Lubricate as noted in the *Lubrication* portion of this section starting on page 19.
4. Store Seed Bed Roller in a clean, dry place.

Pull-Type Units

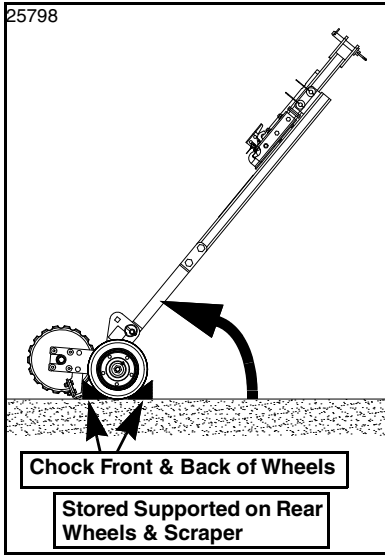
There are three methods of storing pull-type units. Be sure to read and understand **WARNINGS** under “Pull Type” on this page before attempting to unhook the Seed Bed Roller.

- Position unit on a flat level surface. Raise pull hitch up until unit is resting on its rear wheels and scrapers as shown in Figure 3-3. Use auxiliary supports or posts if necessary to prevent the possibility of the unit tipping over. Chock front and back of wheels.
- Position unit on a flat level surface. Raise pull hitch up until the unit is resting on its rear roller and scrapers as shown in Figure 3-4. Ensure unit is stable. Use auxiliary supports or posts if necessary to prevent the possibility of the unit tipping over. Chock front and back of roller.
- Do not leave unit resting on its wheels (transport position) and hitch support. The hitch can develop negative weight and swing up on its own. Instead, position unit on a flat level surface. Rotate hitch up and over 180° until unit is resting on the hitch support and rear roller as shown in Figure 3-5. Ensure unit is stable by chocking the front and back of roller.

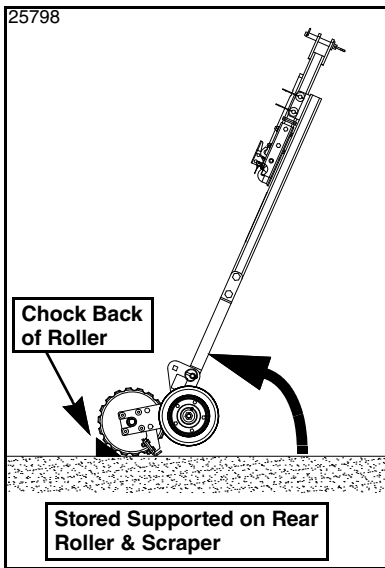
3-Point Lift Units

- Position unit on a flat level surface. Lower 3-Point hitch until the rear roller and support stand are resting on the ground. Ensure that the unit is stable. Chock rear roller if needed especially if unit is not on level ground.
5. Repaint where paint is worn or scratched to prevent rust. Ask your dealer for Land Pride touch-up paint.

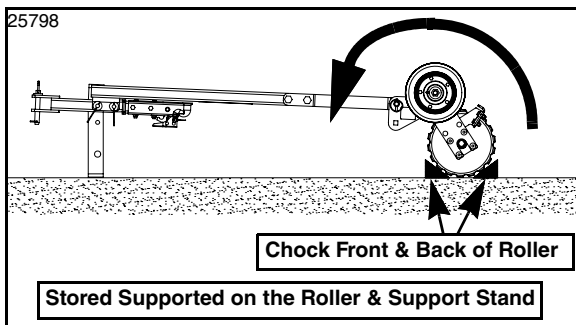
| Land Pride Aerosol Touch-up Paint | |
|-----------------------------------|--------------------------------|
| Part No. | Part Description |
| 821-011C | PAINT LP BEIGE SPRAY CAN |
| 821-054C | PAINT MEDIUM RED SPRAY CAN |
| 821-058C | PAINT GREEN SPRAY CAN |
| 821-066C | PAINT ORANGE SPRAY CAN |
| 821-070C | PAINT GP GLOSS BLACK SPRAY CAN |



Storage Positions For Tight Areas
Figure 3-3



Storage Positions For Tighter Areas
Figure 3-4



Storage Position Using Support Stand
Figure 3-5

General Operating Instructions

By now you should have read the operator's manual and familiarized yourself with all of the possible applications and mounting instructions for your Land Pride Seed Bed Roller. You should now also be familiar with recommended safety and maintenance procedures. It's time to put your new Seed Bed Roller to work. Whether you have a three-point hitch mounted model or a pull-type, it will be important to maintain a ground speed below 7 miles per hour. Driving faster than 7 mph can result in causing your roller to bounce and not deliver the surface finish and seed to soil contact required for maximum germination. It is also best to avoid sharp turns if you want to maintain a uniform finish. The soil should have a very dry texture to it when rolling seed into firmer contact with the soil. Wet or sticky soil will build up on the roller only to be scraped off and deposited on the surface in non-uniform clumps by the roller scrapers. If you are rolling to press seed down in an Overseeding application on pasture or turf grass, it is also important to wait till the grass is dry to avoid accumulations of seed build up sticking to the roller.

If you are transporting a pull-type Seed Bed Roller from one location to another, it is important to remember that the 10" transport wheels are for low speed use and therefore a 10 mph top transport speed should not be exceeded. It is also important to note that in the transport mode you have approximately 5" of ground clearance so take care not to drive over larger rocks, debris, and protruding tree roots. Never pull onto hard surfaces or paved areas with the roller on the ground or excessive wear and damage may occur. The Land Pride Seed Bed Roller is a very user friendly attachment and with a little practice you should begin to achieve professional results in no time at all. See Specifications and Feature Benefits sections on pages 22 & 23 for additional information.

Section 4: Maintenance & Lubrication

Maintenance

Proper servicing and adjustments are key to the long life of any implement. With careful inspection and routine maintenance, you can avoid costly downtime and repair.

After using your Seed Bed Roller for several hours, check all bolts to be sure they are tight. Loose bolts can damage the unit and/or hurt someone especially if the roller falls from the support frame.

Replace any worn, damaged, or illegible safety labels by obtaining new labels from your Land Pride dealer.

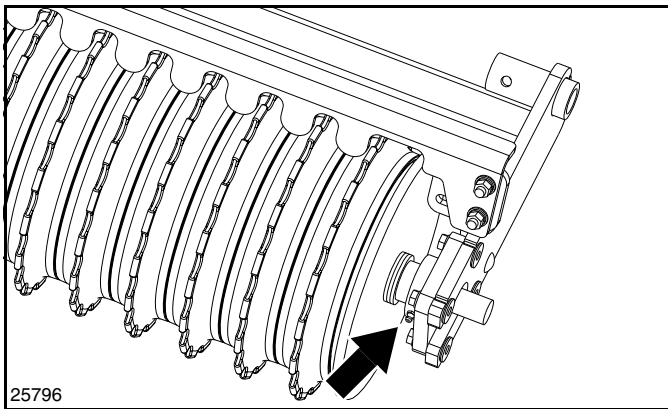
WARNING

To avoid serious injury or death:

- Make sure controls are all in neutral position or park before starting the power machine.
- Do not alter implement or replace parts on the implement with other brands. Other brands may not fit properly or meet OEM (Original Equipment Manufacturer) specifications. They can weaken the integrity and impair the safety, function, performance, and life of the implement. Replace parts only with genuine OEM parts.
- Do not work on or around the Seed Bed Roller without blocking the unit properly. The roller raised off the ground could drop suddenly crushing someone. If the roller is on the ground, it could roll onto someone crushing that person.

Lubrication

| | | | | |
|---------------------------|--------------------------|---------------------------|------------------------|---|
| <p>Lubrication Legend</p> | Multi-purpose spray lube | Multi-purpose grease lube | Multi-purpose oil lube | 50 hrs Intervals in hours at which lubrication is required |
|---------------------------|--------------------------|---------------------------|------------------------|---|



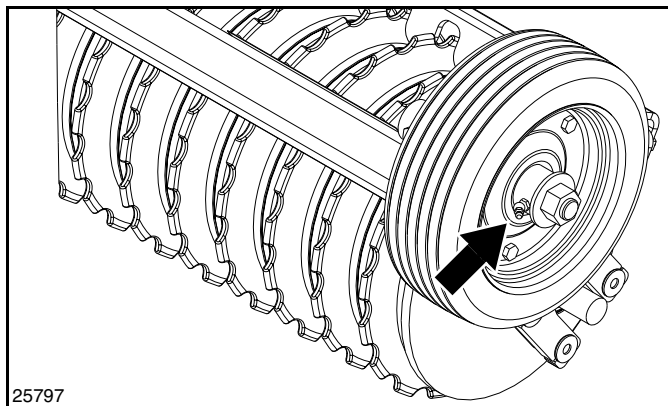
| | |
|--|---------|
| | 8 Hours |
|--|---------|

Roller Flange Bearings

Number of Zerks: 2

Type of Lubrication: Multi-purpose Grease

Quantity = 2 pumps



| | |
|--|---------|
| | 8 Hours |
|--|---------|

Wheel Bearings

Number of Zerks: 2

Type of Lubrication: Multi-purpose Grease

Quantity = 2 pumps

Section 5: Additional Equipment

Additional Seeding Equipment

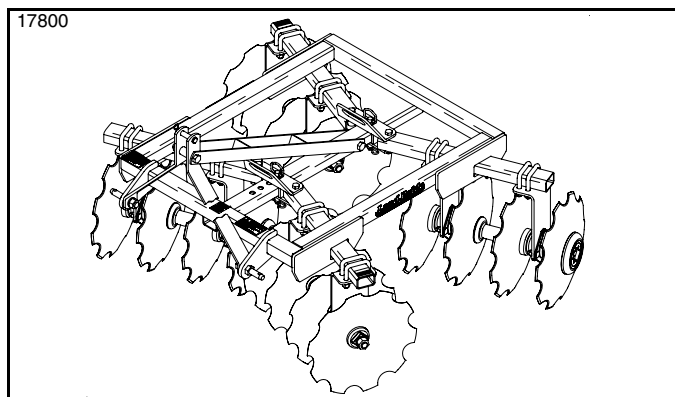
Disc Harrow

Refer to Figure 5-1:

Land Pride Disc Harrows are designed to open and break up soil surface in preparation for planting.

Land Pride Disc Harrow Models

DH1048 & DH1060 . . . 48" (122 cm) & 60" (152 cm) Wide
 DH1560 & DH1572 . . . 60" (152 cm) & 72" (183 cm) wide
 DH2572 & DH2584 . . . 72" (183 cm) & 84" (213 cm) wide
 Additional equipment can be attached behind the Disc Harrow to make it a complete seeding package. See "Complete One Pass Seed Application" on page 21.



Disc Harrow Assembly (DH Series)
 Figure 5-1

Electric Spin Spreader

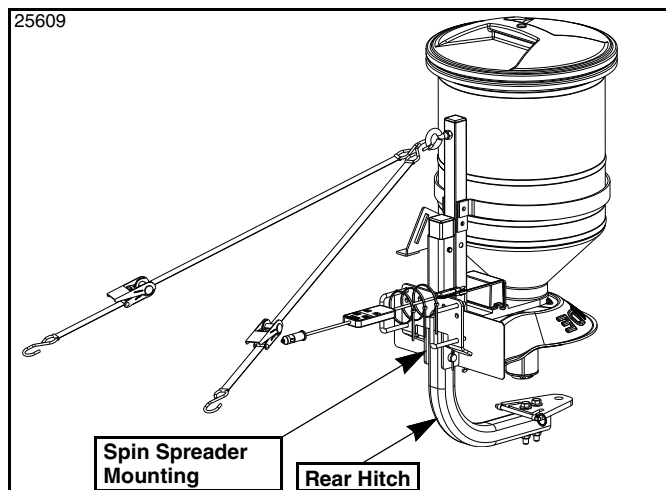
Refer to Figure 5-2:

The Land Pride Electric Spin Spreader is a highly versatile package designed to plant or spread seeds, fertilizer, lime, gypsum, and other soil conditioning amendments at distances ranging from 4 ft to 20 ft (1.22 m to 6.10 m). It can also be used in the off-season to spread sand or salt for winter icing or slick snow conditions.

The unit has a 12 Volt remote tether control that can be operated right from the driver seat to turn the spreader on or off or to set the seed-gate opening to different application rates.

The Spin Spreader has applications in overseeding of pastures, grassy runways, open areas, roadsides, medians, wild game food plots, hunting clubs, hunting resorts, ranches, farms, game preserves, landscaping, and hobby farming. It also works very well in gardens and nurseries to incorporate fertilizer and pelletized gypsum or lime as soil amendments.

Accessories are available for mounting the spreader to a 2" receiver hitch on a utility vehicle or to a Land Pride Disc Harrow. A rear hitch can be attached to the Disc Harrow Spin Spreader mounting bracket. The Drag Harrow and Seed Bed Roller can be hitched to the rear. Refer to "Complete One Pass Seed Application" on page 21.



Electric Spin Spreader, Mounting Bracket & Rear Hitch
 Figure 5-2

Drag Harrow

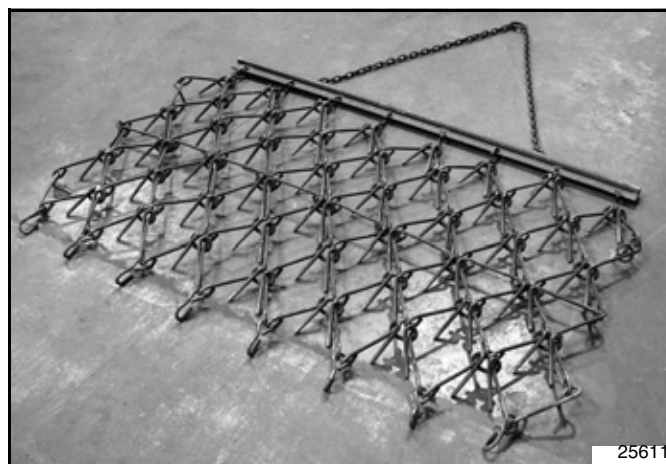
Refer to Figure 5-3:

The Land Pride Drag Harrows are designed for various types of seedbed and ground preparations. They can be used to smooth out freshly cultivated soil, work seed, and fertilizer into freshly cultivated soil, or into turf and pasture grass, fluff and level arenas, aerate soil for faster dry-down-time, de-thatch and aerate lawns and pastures, break up aeration cores on turf surfaces, and groom snow-packed ski resorts.

The Drag Harrow can also be used in tandem with Land Pride's Disc Harrow, Electric Spin Spreader, and Seed Bed Roller to provide a highly efficient and complete seeding application in one pass. See "Complete One Pass Seed Application" on page 21.

Land Pride Drag Harrow Models

Model DRG044 ft (1.22 m) wide x 4 ft (1.22 m) long
 Model DRG066 ft (1.83 m) wide x 4 ft (1.22 m) long
 Model DRG088 ft (2.44 m) wide x 4 ft (1.22 m) long



Drag Harrow (6' x 4" Shown)
 Figure 5-3

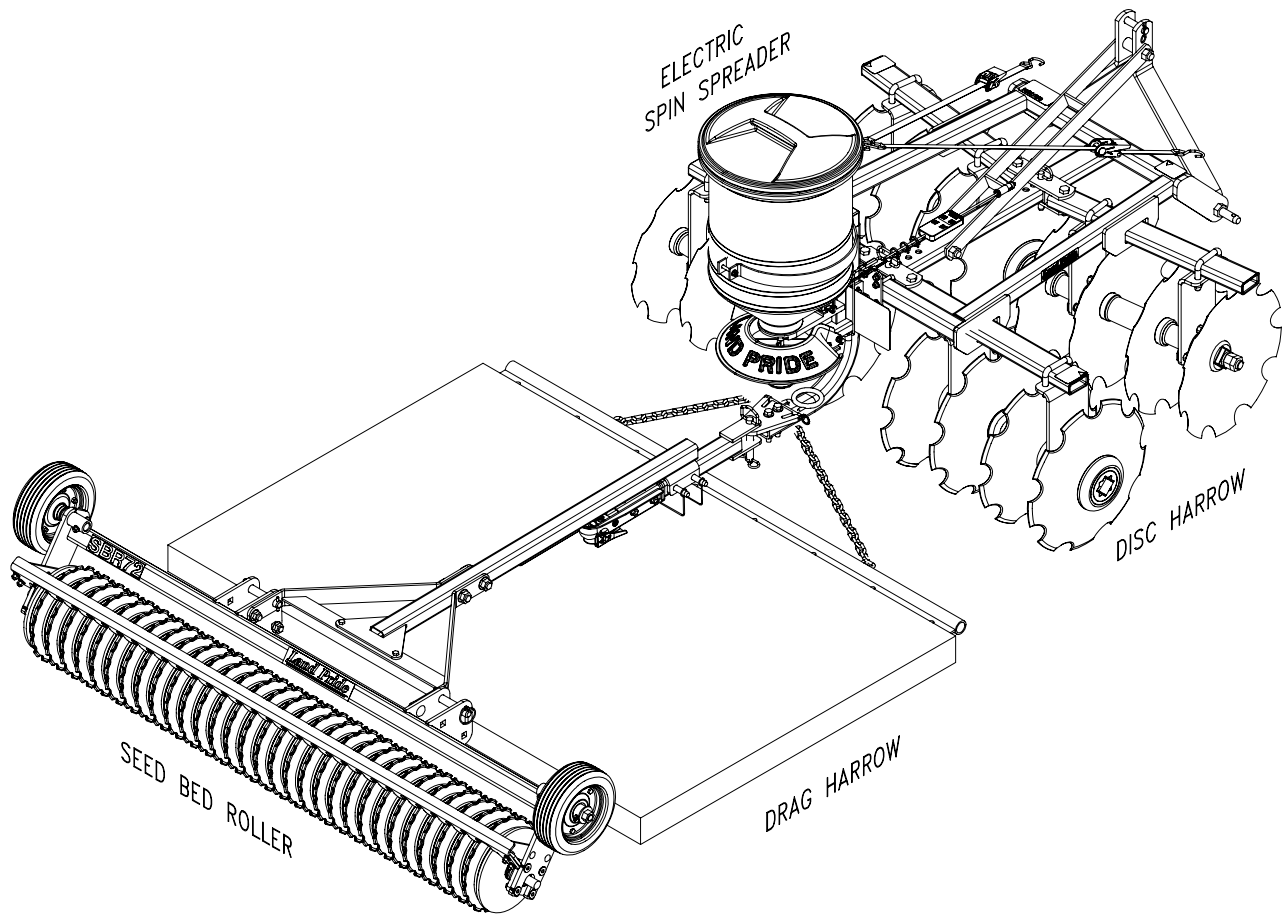
Section 5: Additional Equipment

Complete One Pass Seed Application

Refer to Figure 5-4:

Land Pride offers a Seeder/Overseeder component system for one-pass ground cultivation and seed to soil integration for applications on previously tilled soil, existing pasture ground, large grassy areas, reclamation sites, and wild game food plots. This system is comprised of a Land Pride Disc Harrow, rear mounted Electric Spin Spreader with special hitch kit, trailing Drag Harrow, and trailing Pull-type Seed Bed Roller.

See your nearest Land Pride dealer for more information or visit our web site at www.landpride.com.



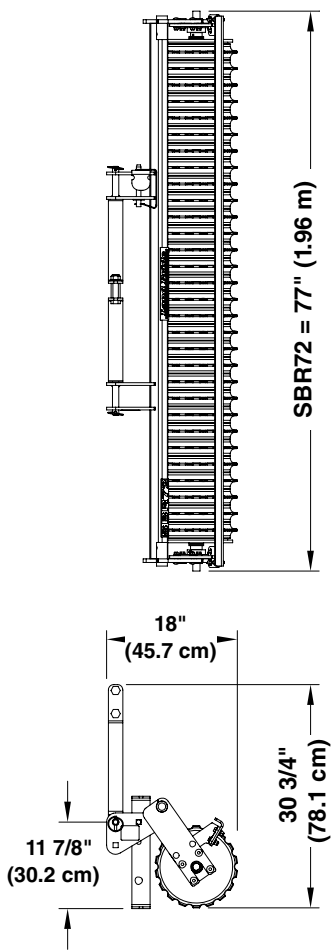
25802

**Complete One Pass Seeding Application
Figure 5-4**



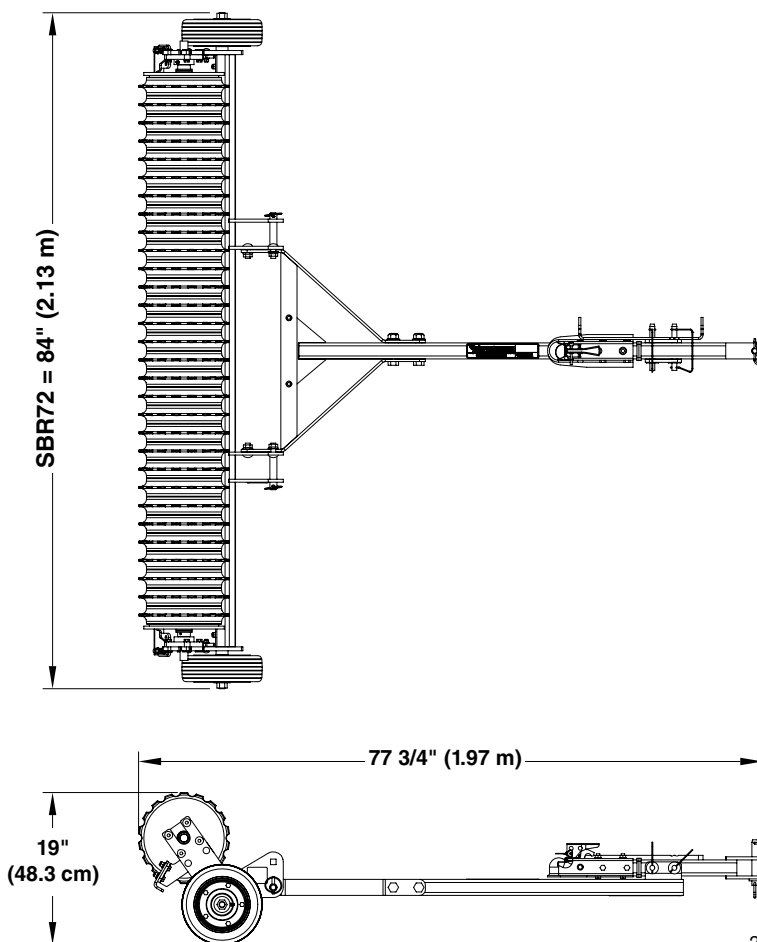
SBR72 Model

| Specifications & Capacities | | |
|---------------------------------|---------------------------------|--|
| Hitch Type | Three-Point | Pull-Type |
| Unit Weight | 442 lbs (200.5 kg) | 478 lbs (216.8 kg) |
| Minimum Required Tractor Weight | 900 lbs (408.2 kg) | 600 lbs (272.2 kg) |
| Working Width | 69" (1.75 m) | 69" (1.75 m) |
| Overall Width | 77" (1.96 m) | 84" (2.13 m) |
| Overall Length | 18" (45.7 cm) | 77" (1.96 m) |
| Overall Height | 30 3/4" (78.1 cm) | 18.9" (48.0 cm) |
| Roller Diameter | 11 3/8" (28.9 cm) | 11 3/8" (28.9 cm) |
| Roller Material Construction | Notched Gray Iron | Notched Gray Iron |
| Hitch Type | Cat. 1 and Cat. 1 QH Compatible | Pull-type Clevis and Indexing 2" (5.1 cm) Ball Combination |
| Tractor Horsepower Requirement | 18-52 hp (13.4-38.8 kw) | 18-52 hp (13.4-38.8 kw) |
| Roller Scrapers | Standard Equipment | Standard Equipment |
| Transport Wheels | N/A | Two 10" x 3 1/4" Solid Rubber Straight Ribbed Tread |
| Hitch Support Stand | Standard Equipment | Standard Equipment |



26791

Three Point Type



26790

Pull Type



SBR Series

| Features | Benefits |
|--|---|
| Category 1 Three-point hitch or Pull-type Configurations. | Matches customers operational and equipment needs. |
| Three point hitch model is Cat. 1 Quick Hitch compatible. | Makes for faster and easier hook-up to the tractor. |
| Standard equipment support stands for both three-point hitch and pull-type models. | Keeps the hitches up and out of the dirt and ready for easy hook-up. |
| Optional Pull-type Hitch assembly bolts on and converts the Three-point model to a Pull-type model. | Provides low cost dual hitch capability for added value and operational versatility. |
| Indexing dual capability hitch on Pull-type configuration. | Ensures easy fit and function for 2" ball or pin and clevis type attachment. |
| Low maintenance indexing flip-over hitch on pull-type configuration. | Allows operator's to switch from transport to working position and back again with ease and keeps costs down. |
| Notched and ribbed patterned gray iron roller. | Provides for optimal seedbed finish and long durable product life. |

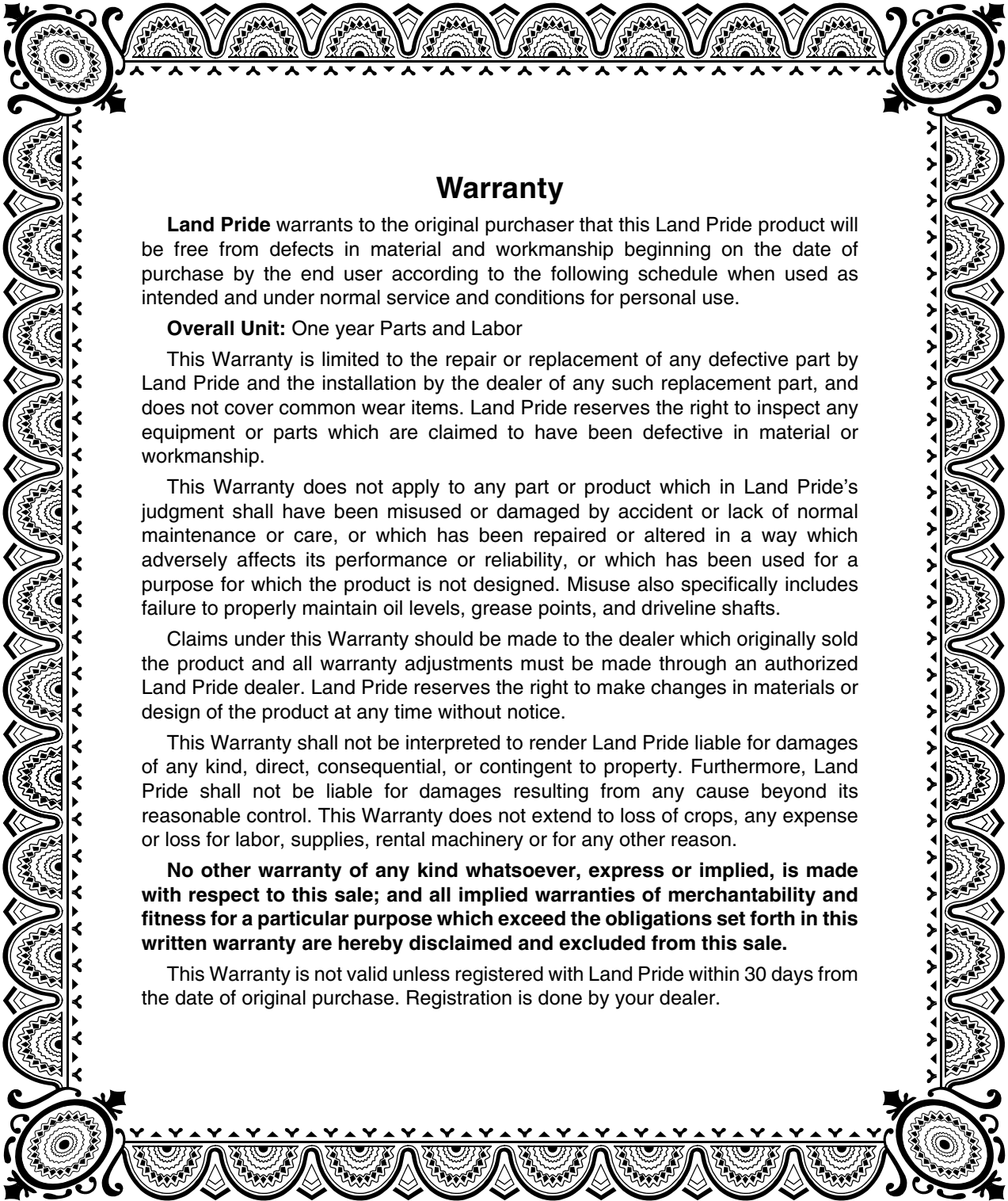


| Torque Values Chart For Common Bolt Size | | | | | | | | | | | | | |
|--|--------------------------|--------------------|---------|-------|---------|-------|--|--------------------------|-------|-----------|-------|------------|-------|
| Bolt Size (inches) | Bolt Head Identification | | | | | | Bolt Size (Metric) | Bolt Head Identification | | | | | |
| | Grade 2 | | Grade 5 | | Grade 8 | | | Class 5.8 | | Class 8.8 | | Class 10.9 | |
| in-tpi ¹ | N · m ² | ft-lb ³ | N · m | ft-lb | N · m | ft-lb | mm x pitch ⁴ | N · m | ft-lb | N · m | ft-lb | N · m | ft-lb |
| 1/4" - 20 | 7.4 | 5.6 | 11 | 8 | 16 | 12 | M 5 X 0.8 | 4 | 3 | 6 | 5 | 9 | 7 |
| 1/4" - 28 | 8.5 | 6 | 13 | 10 | 18 | 14 | M 6 X 1 | 7 | 5 | 11 | 8 | 15 | 11 |
| 5/16" - 18 | 15 | 11 | 24 | 17 | 33 | 25 | M 8 X 1.25 | 17 | 12 | 26 | 19 | 36 | 27 |
| 5/16" - 24 | 17 | 13 | 26 | 19 | 37 | 27 | M 8 X 1 | 18 | 13 | 28 | 21 | 39 | 29 |
| 3/8" - 16 | 27 | 20 | 42 | 31 | 59 | 44 | M10 X 1.5 | 33 | 24 | 52 | 39 | 72 | 53 |
| 3/8" - 24 | 31 | 22 | 47 | 35 | 67 | 49 | M10 X 0.75 | 39 | 29 | 61 | 45 | 85 | 62 |
| 7/16" - 14 | 43 | 32 | 67 | 49 | 95 | 70 | M12 X 1.75 | 58 | 42 | 91 | 67 | 125 | 93 |
| 7/16" - 20 | 49 | 36 | 75 | 55 | 105 | 78 | M12 X 1.5 | 60 | 44 | 95 | 70 | 130 | 97 |
| 1/2" - 13 | 66 | 49 | 105 | 76 | 145 | 105 | M12 X 1 | 90 | 66 | 105 | 77 | 145 | 105 |
| 1/2" - 20 | 75 | 55 | 115 | 85 | 165 | 120 | M14 X 2 | 92 | 68 | 145 | 105 | 200 | 150 |
| 9/16" - 12 | 95 | 70 | 150 | 110 | 210 | 155 | M14 X 1.5 | 99 | 73 | 155 | 115 | 215 | 160 |
| 9/16" - 18 | 105 | 79 | 165 | 120 | 235 | 170 | M16 X 2 | 145 | 105 | 225 | 165 | 315 | 230 |
| 5/8" - 11 | 130 | 97 | 205 | 150 | 285 | 210 | M16 X 1.5 | 155 | 115 | 240 | 180 | 335 | 245 |
| 5/8" - 18 | 150 | 110 | 230 | 170 | 325 | 240 | M18 X 2.5 | 195 | 145 | 310 | 230 | 405 | 300 |
| 3/4" - 10 | 235 | 170 | 360 | 265 | 510 | 375 | M18 X 1.5 | 220 | 165 | 350 | 260 | 485 | 355 |
| 3/4" - 16 | 260 | 190 | 405 | 295 | 570 | 420 | M20 X 2.5 | 280 | 205 | 440 | 325 | 610 | 450 |
| 7/8" - 9 | 225 | 165 | 585 | 430 | 820 | 605 | M20 X 1.5 | 310 | 230 | 650 | 480 | 900 | 665 |
| 7/8" - 14 | 250 | 185 | 640 | 475 | 905 | 670 | M24 X 3 | 480 | 355 | 760 | 560 | 1050 | 780 |
| 1" - 8 | 340 | 250 | 875 | 645 | 1230 | 910 | M24 X 2 | 525 | 390 | 830 | 610 | 1150 | 845 |
| 1" - 12 | 370 | 275 | 955 | 705 | 1350 | 995 | M30 X 3.5 | 960 | 705 | 1510 | 1120 | 2100 | 1550 |
| 1-1/8" - 7 | 480 | 355 | 1080 | 795 | 1750 | 1290 | M30 X 2 | 1060 | 785 | 1680 | 1240 | 2320 | 1710 |
| 1-1/8" - 12 | 540 | 395 | 1210 | 890 | 1960 | 1440 | M36 X 3.5 | 1730 | 1270 | 2650 | 1950 | 3660 | 2700 |
| 1-1/4" - 7 | 680 | 500 | 1520 | 1120 | 2460 | 1820 | M36 X 2 | 1880 | 1380 | 2960 | 2190 | 4100 | 3220 |
| 1-1/4" - 12 | 750 | 555 | 1680 | 1240 | 2730 | 2010 | ¹ in-tpi = nominal thread diameter in inches-threads per inch ² N · m = newton-meters ³ ft-lb= foot pounds ⁴ mm x pitch = nominal thread diameter in millimeters x thread pitch | | | | | | |
| 1-3/8" - 6 | 890 | 655 | 1990 | 1470 | 3230 | 2380 | | | | | | | |
| 1-3/8" - 12 | 1010 | 745 | 2270 | 1670 | 3680 | 2710 | | | | | | | |
| 1-1/2" - 6 | 1180 | 870 | 2640 | 1950 | 4290 | 3160 | | | | | | | |
| 1-1/2" - 12 | 1330 | 980 | 2970 | 2190 | 4820 | 3560 | | | | | | | |

Torque tolerance + 0%, -15% of torquing values. Unless otherwise specified use torque values listed above.
 All locknuts or lubricated fasteners: Use 75% of torque value. (i.e. 1/2"-13 GR5 = 76 ft-lb; 75% of 76 or .75 x 76 = 57 ft-lb)

Additional Torque Values

| | |
|---|---|
| Wheel Spindle Nut (3/4"-10 Locknut) | Tighten locknut until tire does not rotate easily and then back-off nut until tire turns freely. |
| Ball Hitch Swivel Nut (3/4"-10 Hex Flange Top Locknut) | See Important Note on page 14. Adjust nut tight enough so that the two mating plates make contact but loose enough so that the mating plates can rotate against each other. |



Warranty

Land Pride warrants to the original purchaser that this Land Pride product will be free from defects in material and workmanship beginning on the date of purchase by the end user according to the following schedule when used as intended and under normal service and conditions for personal use.

Overall Unit: One year Parts and Labor

This Warranty is limited to the repair or replacement of any defective part by Land Pride and the installation by the dealer of any such replacement part, and does not cover common wear items. Land Pride reserves the right to inspect any equipment or parts which are claimed to have been defective in material or workmanship.

This Warranty does not apply to any part or product which in Land Pride's judgment shall have been misused or damaged by accident or lack of normal maintenance or care, or which has been repaired or altered in a way which adversely affects its performance or reliability, or which has been used for a purpose for which the product is not designed. Misuse also specifically includes failure to properly maintain oil levels, grease points, and driveline shafts.

Claims under this Warranty should be made to the dealer which originally sold the product and all warranty adjustments must be made through an authorized Land Pride dealer. Land Pride reserves the right to make changes in materials or design of the product at any time without notice.

This Warranty shall not be interpreted to render Land Pride liable for damages of any kind, direct, consequential, or contingent to property. Furthermore, Land Pride shall not be liable for damages resulting from any cause beyond its reasonable control. This Warranty does not extend to loss of crops, any expense or loss for labor, supplies, rental machinery or for any other reason.

No other warranty of any kind whatsoever, express or implied, is made with respect to this sale; and all implied warranties of merchantability and fitness for a particular purpose which exceed the obligations set forth in this written warranty are hereby disclaimed and excluded from this sale.

This Warranty is not valid unless registered with Land Pride within 30 days from the date of original purchase. Registration is done by your dealer.

IMPORTANT: The Online Warranty Registration should be completed by the dealer at the time of purchase. This information is necessary to provide you with quality customer service.

Model Number _____

Serial Number _____



Corporate Office: P.O. Box 5060
Salina, Kansas 67402-5060 USA
www.landpride.com
