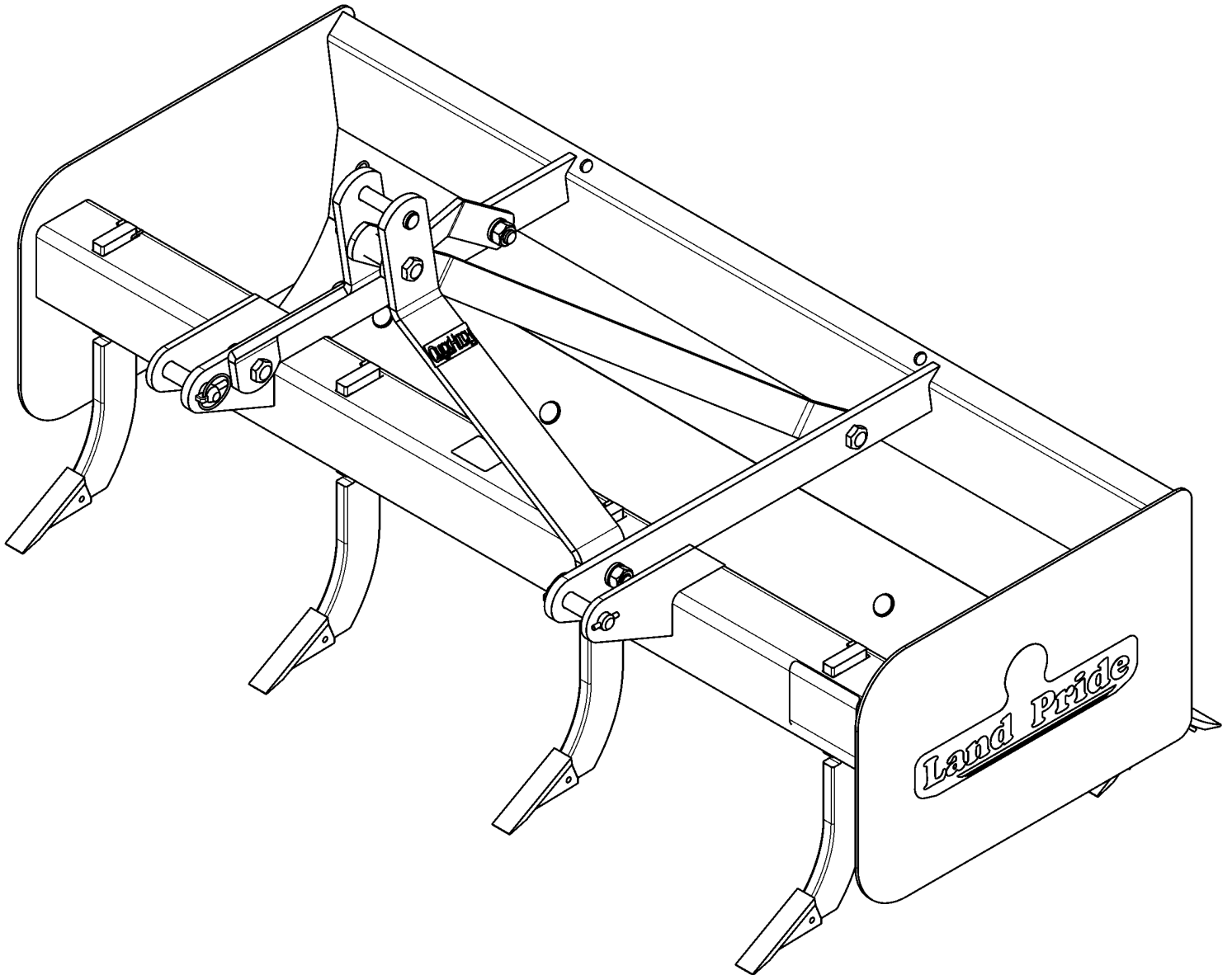


Box Scrapers

BB12 Series



303-295P Parts Manual



Read the Operator's Manual entirely. When you see this symbol, the subsequent instructions and warnings are serious - follow without exception. Your life and the lives of others depend on it!

© Copyright 2026 Printed 03/23/2026

Cover photo may show optional equipment not supplied with standard unit.

Table Of Contents

Section 1: Introduction	2
<i>Using This Manual</i>	2
<i>Manual Replacement Information</i>	2
<i>Manual Revisions</i>	2
<i>Touch-up Paint</i>	2
<i>Hardware Legend</i>	3
<i>Replacement Hardware</i>	3
<i>Serial Numbers</i>	3
<i>Part Number Service Coding</i>	3
Section 2: Frame	4
<i>Complete Assembly - BB1248</i>	4
<i>Complete Assembly - BB1254</i>	8
<i>Complete Assembly - BB1260</i>	12
<i>Complete Assembly - BB1266</i>	16
<i>Complete Assembly - BB1272</i>	20
Section 3: Decals	24
<i>Decal Placement - BB1248</i>	24
<i>Decal Placement - BB1254</i>	26
<i>Decal Placement - BB1260</i>	28
<i>Decal Placement - BB1266</i>	30
<i>Decal Placement - BB1272</i>	32
<i>Touch-up Paints (Land Pride)</i>	34

This Page Intentionally Left Blank

General Information

Using This Manual

This manual is divided into sections. The first section contains General Information. The remaining sections divide the machine into segments (i.e. Frames, Drives, Hydraulics, etc.) which illustrate and list all parts. A Parts Number Index is located at the back of the book.

The Land Pride parts in this manual are specially designed for this machine and should be replaced with Land Pride parts only.

The information in this manual is current at time of printing. Some parts may change to assure top performance.

Right-hand and left-hand as used in this manual are determined by facing the direction the machine will travel while in use.

Below is an example of two facing pages from a parts manual. Familiarize yourself with the type of information contained on these pages.

Manual Replacement Information

Replacement manuals are available. Refer to our website at www.landpride.com or e-mail us at lit@landpride.com for additional information. Our website continues to provide the most up-to-date manuals available.

Touch-up Paint

Repaint parts where paint is worn or scratched to prevent rust. Aerosol cans and touch-up bottles with brush applicator are available through your local dealer. Also available are quart and gallon size paints. Add QT or GL to end of the Aerosol P/N.

Land Pride color descriptions and part numbers are listed on the "Land Pride Touch-Up Paints" page in the "Decals" section of this book.

The diagram illustrates two facing pages from a parts manual. The left page (page 6) features an exploded view of a frame assembly with four numbered callouts (1, 2, 3, 4) pointing to different parts. The right page (page 7) displays a parts list for the same assembly, with a serial number break. Both pages include a header with 'Land Pride', 'Section 2: Frames', and 'Frame (S/N 00000-)'. The left page also includes 'Applies to Model No.' and 'Illustrations and Parts Lists Apply to the Models Listed Here'. The right page includes 'Serial Number Break' and 'Parts List'. Both pages have a footer with '5/18/05', 'Model Number / Product Line / XXX-XXXX', and page numbers 6 and 7 respectively.

All rights Reserved

Land Pride provides this publication "as is" without warranty of any kind, either expressed or implied. While every precaution has been taken in the preparation of this manual, Land Pride assumes no responsibility for errors or omissions. Neither is any liability assumed for damages resulting from the use of the information contained herein. Land Pride reserves the right to revise and improve its products as it sees fit. This publication describes the state of this product at the time of its publication, and may not reflect the product in the future. The illustrations in this manual are not intended for safe and proper assembly or disassembly of equipment. The illustrations are intended for ordering parts only.

Land Pride is a registered trademark.

All other brands and product names are trademarks or registered trademarks of their respective holders.

Printed in the United States of America.

General Information

Hardware Legend

AR	As Required
BLADE	Blade Bolt
C	Cap Screw
CP	Cotter Pin
CPHSSS	Cup Point Hex Socket Set Screw
CPSHSS	Cup Point Square Head Set Screw
CPSQHSS	Cup Point Square Head Set Screw
CRFCHMS3	Cross Recess Flat Countersunk Head Machine Screw
CRPHMS	Cross Recess Pan Head Machine Screw
CRPHTF	Cross Recess Pan Head Thread Forming
CRRHMS	Cross Recess Round Head Machine Screw
CRTHMS	Cross Recess Truss Head Machine Screw
CSNB	Countersunk Square Neck Bolt
FHMS	Flat Head Machine Screw
FTC	Full Thread Cap Screw
H	Hex Nut
HCLN	Hex Center Lock Nut
HFLCS	Hex Flange Lock Cap Screw
HFS	Hex Flange Screw
HFSLN	Hex Flange Serrated Lock Nut
HFSS	Hex Flange Serrated Screw
HHCS	Hex Head Cap Screw or Metric Bolt
HSBHCS	Hex Socket Button Head Cap Screw
HSFCHCS	Hex Socket Flat Countersunk Head Cap Screw
HSHCS	Hex Socket Head Cap Screw
HSSS	Hex Socket Head Screw
HTLN	Hex Top Lock Nut
HHWCS	Hex Washer Head Cap Screw

HWHMS	Hex Washer Head Machine Screw
HXBHCS	Hex Socket Button Head Cap Screw
J	Hex Jam Nut
JIC	37 Degree Tapered Thread
L	Helical Spring Lock Washer
LUG	Lug Bolt
NFC	National Fine Cap Screw
NPSM	National Pipe Straight Mechanical
NPTF	National Pipe Taper Fuel
P	Wide Plain Washer
PHMS	Pan Head Machine Screw
PLow	Plow Bolt
RHMS	Round Head Machine Screw
RHSNB	Round Head Square Neck Bolt
SCREW LEVELING	Leveling Screw
SCREW THUMB	Thumb Screw
SCREW WELD	Weld Screw
SFCHMS	Slotted Flat Countersunk Head Machine Screw
SFHMS	Slotted Fillister Head Machine Screw
SP	Special
SP SCREW	Special Screw
SQHSS	Square Head Set Screw
SRHMS	Slotted Round Head Machine Screw
SSS	Socket Set Screw
STCS	Self Tapping Cap Screw
STHMS	Slotted Truss Head Machine Screw
WHEEL	Wheel Studs and Hub Long Bolts
WING	Wing Bolt

Replacement Hardware

The **Hardware Legend** above lists hardware abbreviations used in the parts list. All bolts and nuts are Grade 5 unless otherwise noted. The use of improper grades of hardware can result in personal injury, damage to equipment, or loss of property.

Colored Replacement Parts

Land Pride offers replacement parts in factory standard colors and also on select models in Green, Orange, Red and Blue. Because of the variety of colors available, special attention must be given to the part number to prevent ordering the wrong replacement part.

A suffix number corresponding to one of the colors below must be added at the end of Land Pride's part number when ordering a replacement part with that color.

- 81** **Green**
- 82** **Orange**
- 83** **Red**
- 84** **Blue**

For example, if you are ordering a replacement part with part number 555-555C and the part you need is red, then add the suffix 83 to the end of the number to make the part number read 555-555C83. Parts ordered without a suffix number will be supplied in factory standard colors.

Black Replacement Parts

Some parts are factory standard black and some must be special ordered black. If your part is special ordered black, a second part number with the additional suffix number 85 on the end will be available. In this situation you must order that part with the suffix number for it to be black. Parts that are factory standard black will not have the suffix number.

Part Number Service Coding

Within the parts list some part numbers are coded for revisions and interchangeability. See notations in revision column.

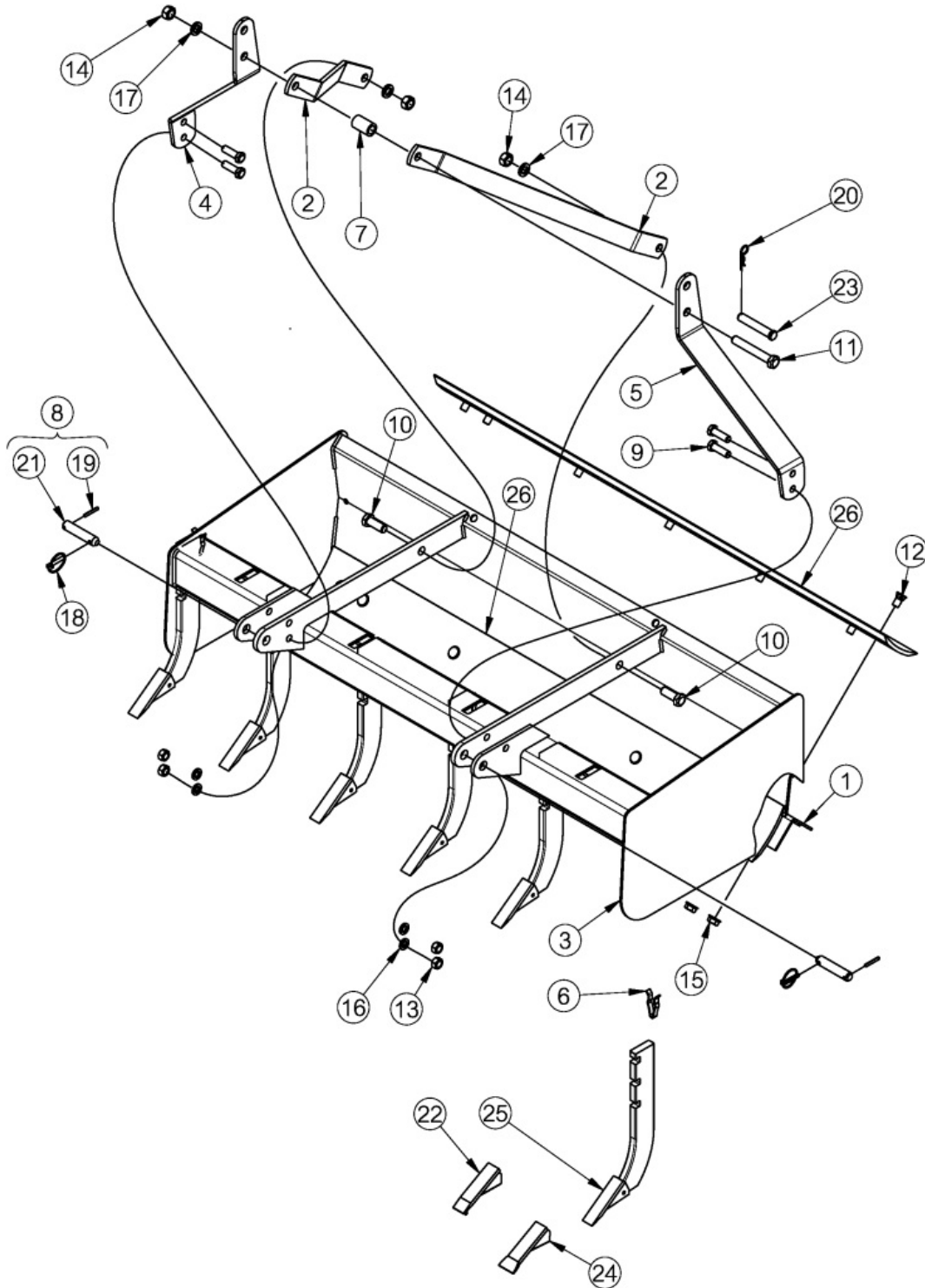
Serial Numbers

Always use the serial and model number when ordering parts. Refer to the Operator's Manual for serial number plate location.

- (S/N 20001+) Includes serial numbers 20001 and above (to the latest number)
- (S/N 10001 to 20000) Includes serial numbers between and including 10001 and 20000
- (S/N 10000-) Includes serial numbers 10000 and below (to the earliest number)

Complete Assembly - BB1248

Applies to Models: BB1248



Complete Assembly - BB1248

Applies to Models: BB1248

Ref.	Part No.	Part Description	Comments
	DWG 30730	Drawing Image Number	
1	303-203D	ANGLE, 48" MOLDBOARD BLADE MNT	Welding Required
2	303-212D	STRAP, UPPER HITCH BRACE	
2	303-212D81	STRAP, GREEN UPPER HITCH BRACE	
2	303-212D82	STRAP, ORANG UPPER HITCH BRACE	
2	303-212D83	STRAP, UPPER HITCH BRACE RED	
2	303-212D85	STRAP, BLACK UPPER HITCH BRACE	
3	303-299H	WLDMNT, 48" LIGHT DUTY SCRAPER	
3	303-299H81	WLDMNT, 48" GREEN LD SCRAPER	
3	303-299H82	WLDMNT, 48" ORANGE LD SCRAPER	
3	303-299H83	WLDMNT, 48" RED SCRAPER	
4	303-440D	BB12 SERIES HITCH STRAP RH	S/N 2124052+
4	303-440D82	BB12 SRS HITCH STRAP RH ORANGE	S/N 2124052+
4	303-440D85	BB12 SRS HITCH STRAP RH BLACK	
4	303-354D	BB12 SERIES HITCH STRAP RH	S/N 1003266 to 2124051
4	303-354D81	BB12 SERIES HITCH STRAP RH GRN	S/N 1003266 to 2124051
4	303-354D82	BB12 SERIES HITCH STRAP RH ORG	S/N 1003266 to 2124051
4	303-354D83	BB12 SERIES HITCH STRAP RH RED	S/N 1003266 to 2124051
4	303-122D	HITCH TOP RH STRAP	S/N 1003265-
4	303-122D81	HITCH TOP RH STRAP GREEN	S/N 1003265-
4	303-122D82	HITCH TOP RH STRAP ORANGE	S/N 1003265-
4	303-122D83	HITCH TOP RH STRAP RED	S/N 1003265-
5	303-441D	BB12 SERIES HITCH STRAP LH	S/N 2124052+
5	303-441D82	BB12 SRS HITCH STRAP LH ORANGE	S/N 2124052+
5	303-441D85	BB12 SRS HITCH STRAP LH BLACK	
5	303-355D	BB12 SERIES HITCH STRAP LH	S/N 1003266 to 2124051
5	303-355D81	BB12 SERIES HITCH STRAP LH GRN	S/N 1003266 to 2124051
5	303-355D82	BB12 SERIES HITCH STRAP LH ORG	S/N 1003266 to 2124051
5	303-355D83	BB12 SERIES HITCH STRAP LH RED	S/N 1003266 to 2124051
5	303-123D	HITCH TOP LH STRAP	S/N 1003265-
5	303-123D81	HITCH TOP LH STRAP GREEN	S/N 1003265-
5	303-123D82	HITCH TOP LH STRAP ORANGE	S/N 1003265-
5	303-123D83	HITCH TOP LH STRAP RED	S/N 1003265-
6	305-111D	CLIP SHANK RETAINER	
7	827-255C	SPACER 1 1/4OD X 13/16ID X 2LG	
8	310-020S	LOWER HITCH PIN	
9	802-055C	HHCS 5/8-11X2 GR5 FTHD	S/N 1003266+
9	802-064C	HHCS 3/4-10X2 GR5	S/N 1003265-
10	802-064C	HHCS 3/4-10X2 GR5	
11	802-069C	HHCS 3/4-10X5 GR5	
12	802-813C	PLOW 5/8-11X1 1/4 GR5	
13	803-021C	NUT HEX 5/8-11 PLT	S/N 1003266+
13	803-027C	NUT HEX 3/4-10 PLT	S/N 1003265-
14	803-027C	NUT HEX 3/4-10 PLT	
15	803-304C	NUT HEX WHIZ 5/8-11 PLT	S/N 815206+
15	803-263C	NUT HEX FLANGE LOCK 5/8-11 PLT	S/N 815205-
16	804-022C	WASHER LOCK SPRING 5/8 PLT	S/N 1003266+
16	804-023C	WASHER LOCK SPRING 3/4 PLT	S/N 1003265-
17	804-023C	WASHER LOCK SPRING 3/4 PLT	
18	805-015C	PIN LINCH 5/16 X 1 3/4	

This Page Intentionally Left Blank

Complete Assembly - BB1248

Ref.	Part No.	Part Description	Comments
19	805-041C	PIN ROLL 1/4X1 3/4	
20	805-143C	PIN HAIR COTTER .120 PLT	
21	805-198C	PIN CLVS HDLS .88X3.08 USBL	
22	820-050C	SHANK TIP DIMPLE-ON NARROW	Standard Tip
23	805-228C	PIN CLVS .75X3.94 USBL	
24	820-153C	SHANK TIP DIMPLE-ON WIDE FLARE	Optional Tip
25	820-344C	TRIPLE NOTCH SHANK	
26	820-447C	BLADE, 3/8 X 6 X 47 1/2 GRADER	

Complete Assembly - BB1254

Applies to Models: BB1254

Ref.	Part No.	Part Description	Comments
	DWG 30730	Drawing Image Number	
1	303-218D	ANGLE, 54" MOLDBOARD BLADE	Welding Required
2	303-212D	STRAP, UPPER HITCH BRACE	
2	303-212D81	STRAP, GREEN UPPER HITCH BRACE	
2	303-212D82	STRAP, ORANG UPPER HITCH BRACE	
2	303-212D83	STRAP, UPPER HITCH BRACE RED	
2	303-212D85	STRAP, BLACK UPPER HITCH BRACE	
3	303-317H	WLDMNT, 54" LIGHT DUTY SCRAPER	
3	303-317H81	WLDMNT, 54" GREEN SCRAPER	
3	303-317H82	WLDMNT, 54" ORANGE SCRAPER	
3	303-317H83	WLDMNT, 54" RED SCRAPER	
4	303-440D	BB12 SERIES HITCH STRAP RH	S/N 2124052+
4	303-440D82	BB12 SRS HITCH STRAP RH ORANGE	S/N 2124052+
4	303-440D85	BB12 SRS HITCH STRAP RH BLACK	
4	303-354D	BB12 SERIES HITCH STRAP RH	S/N 1004074 to 2124051
4	303-354D81	BB12 SERIES HITCH STRAP RH GRN	S/N 1004074 to 2124051
4	303-354D82	BB12 SERIES HITCH STRAP RH ORG	S/N 1004074 to 2124051
4	303-354D83	BB12 SERIES HITCH STRAP RH RED	S/N 1004074 to 2124051
4	303-122D	HITCH TOP RH STRAP	S/N 1004073-
4	303-122D81	HITCH TOP RH STRAP GREEN	S/N 1004073-
4	303-122D82	HITCH TOP RH STRAP ORANGE	S/N 1004073-
4	303-122D83	HITCH TOP RH STRAP RED	S/N 1004073-
5	303-441D	BB12 SERIES HITCH STRAP LH	S/N 2124052+
5	303-441D82	BB12 SRS HITCH STRAP LH ORANGE	S/N 2124052+
5	303-441D85	BB12 SRS HITCH STRAP LH BLACK	
5	303-355D	BB12 SERIES HITCH STRAP LH	S/N 1004074 to 2124051
5	303-355D81	BB12 SERIES HITCH STRAP LH GRN	S/N 1004074 to 2124051
5	303-355D82	BB12 SERIES HITCH STRAP LH ORG	S/N 1004074 to 2124051
5	303-355D83	BB12 SERIES HITCH STRAP LH RED	S/N 1004074 to 2124051
5	303-123D	HITCH TOP LH STRAP	S/N 1004073-
5	303-123D81	HITCH TOP LH STRAP GREEN	S/N 1004073-
5	303-123D82	HITCH TOP LH STRAP ORANGE	S/N 1004073-
5	303-123D83	HITCH TOP LH STRAP RED	S/N 1004073-
6	305-111D	CLIP SHANK RETAINER	
7	827-255C	SPACER 1 1/4OD X 13/16ID X 2LG	
8	310-020S	LOWER HITCH PIN	
9	802-055C	HHCS 5/8-11X2 GR5 FTTHD	S/N 1004074+
9	802-064C	HHCS 3/4-10X2 GR5	S/N 1004073-
10	802-064C	HHCS 3/4-10X2 GR5	
11	802-069C	HHCS 3/4-10X5 GR5	
12	802-813C	PLOW 5/8-11X1 1/4 GR5	
13	803-021C	NUT HEX 5/8-11 PLT	S/N 1004074+
13	803-027C	NUT HEX 3/4-10 PLT	S/N 1004073-
14	803-027C	NUT HEX 3/4-10 PLT	
15	803-304C	NUT HEX WHIZ 5/8-11 PLT	S/N 815206+
15	803-263C	NUT HEX FLANGE LOCK 5/8-11 PLT	S/N 815205-
16	804-022C	WASHER LOCK SPRING 5/8 PLT	S/N 1004074+
16	804-023C	WASHER LOCK SPRING 3/4 PLT	S/N 1004073-
17	804-023C	WASHER LOCK SPRING 3/4 PLT	
18	805-015C	PIN LINCH 5/16 X 1 3/4	

Complete Assembly - BB1254

This Page Intentionally Left Blank

Complete Assembly - BB1254

Ref.	Part No.	Part Description	Comments
19	805-041C	PIN ROLL 1/4X1 3/4	
20	805-143C	PIN HAIR COTTER .120 PLT	
21	805-198C	PIN CLVS HDLS .88X3.08 USBL	
22	820-050C	SHANK TIP DIMPLE-ON NARROW	Standard Tip
23	805-228C	PIN CLVS .75X3.94 USBL	
24	820-153C	SHANK TIP DIMPLE-ON WIDE FLARE	Optional Tip
25	820-344C	TRIPLE NOTCH SHANK	
26	820-459C	BLADE,3/8X6 X 53 1/2 LG GRADER	

Complete Assembly - BB1260

Applies to Models: BB1260

Ref.	Part No.	Part Description	Comments
	DWG 30730	Drawing Image Number	
1	303-204D	ANGLE, 60" MOLDBOARD BLADE MNT	Welding Required
2	303-212D	STRAP, UPPER HITCH BRACE	
2	303-212D81	STRAP, GREEN UPPER HITCH BRACE	
2	303-212D82	STRAP, ORANG UPPER HITCH BRACE	
2	303-212D83	STRAP, UPPER HITCH BRACE RED	
2	303-212D85	STRAP, BLACK UPPER HITCH BRACE	
3	303-300H	WLDMNT, 60" LIGHT DUTY SCRAPER	
3	303-300H81	WLDMNT, 60" GREEN LD SCRAPER	
3	303-300H82	WLDMNT, 60" ORANGE LD SCRAPER	
3	303-300H83	WLDMNT, 60" RED SCRAPER	
3	303-300H85	WLDMNT, 60" BLACK LD SCRAPER	
4	303-440D	BB12 SERIES HITCH STRAP RH	S/N 2124052+
4	303-440D82	BB12 SRS HITCH STRAP RH ORANGE	S/N 2124052+
4	303-440D85	BB12 SRS HITCH STRAP RH BLACK	
4	303-354D	BB12 SERIES HITCH STRAP RH	S/N 1004230 to 2124051
4	303-354D81	BB12 SERIES HITCH STRAP RH GRN	S/N 1004230 to 2124051
4	303-354D82	BB12 SERIES HITCH STRAP RH ORG	S/N 1004230 to 2124051
4	303-354D83	BB12 SERIES HITCH STRAP RH RED	S/N 1004230 to 2124051
4	303-122D	HITCH TOP RH STRAP	S/N 1004229-
4	303-122D81	HITCH TOP RH STRAP GREEN	S/N 1004229-
4	303-122D82	HITCH TOP RH STRAP ORANGE	S/N 1004229-
4	303-122D83	HITCH TOP RH STRAP RED	S/N 1004229-
5	303-441D	BB12 SERIES HITCH STRAP LH	S/N 2124052+
5	303-441D82	BB12 SRS HITCH STRAP LH ORANGE	S/N 2124052+
5	303-441D85	BB12 SRS HITCH STRAP LH BLACK	
5	303-355D	BB12 SERIES HITCH STRAP LH	S/N 1004230 to 2124051
5	303-355D81	BB12 SERIES HITCH STRAP LH GRN	S/N 1004230 to 2124051
5	303-355D82	BB12 SERIES HITCH STRAP LH ORG	S/N 1004230 to 2124051
5	303-355D83	BB12 SERIES HITCH STRAP LH RED	S/N 1004230 to 2124051
5	303-123D	HITCH TOP LH STRAP	S/N 1004229-
5	303-123D81	HITCH TOP LH STRAP GREEN	S/N 1004229-
5	303-123D82	HITCH TOP LH STRAP ORANGE	S/N 1004229-
5	303-123D83	HITCH TOP LH STRAP RED	S/N 1004229-
6	305-111D	CLIP SHANK RETAINER	
7	827-255C	SPACER 1 1/4OD X 13/16ID X 2LG	
8	310-020S	LOWER HITCH PIN	
9	802-055C	HHCS 5/8-11X2 GR5 FTHD	S/N 1004230+
9	802-064C	HHCS 3/4-10X2 GR5	S/N 1004229-
10	802-064C	HHCS 3/4-10X2 GR5	
11	802-069C	HHCS 3/4-10X5 GR5	
12	802-813C	PLOW 5/8-11X1 1/4 GR5	
13	803-021C	NUT HEX 5/8-11 PLT	S/N 1004230+
13	803-027C	NUT HEX 3/4-10 PLT	S/N 1004229-
14	803-027C	NUT HEX 3/4-10 PLT	
15	803-304C	NUT HEX WHIZ 5/8-11 PLT	S/N 815206+
15	803-263C	NUT HEX FLANGE LOCK 5/8-11 PLT	S/N 815205-
16	804-022C	WASHER LOCK SPRING 5/8 PLT	S/N 1004230+
16	804-023C	WASHER LOCK SPRING 3/4 PLT	S/N 1004229-
17	804-023C	WASHER LOCK SPRING 3/4 PLT	

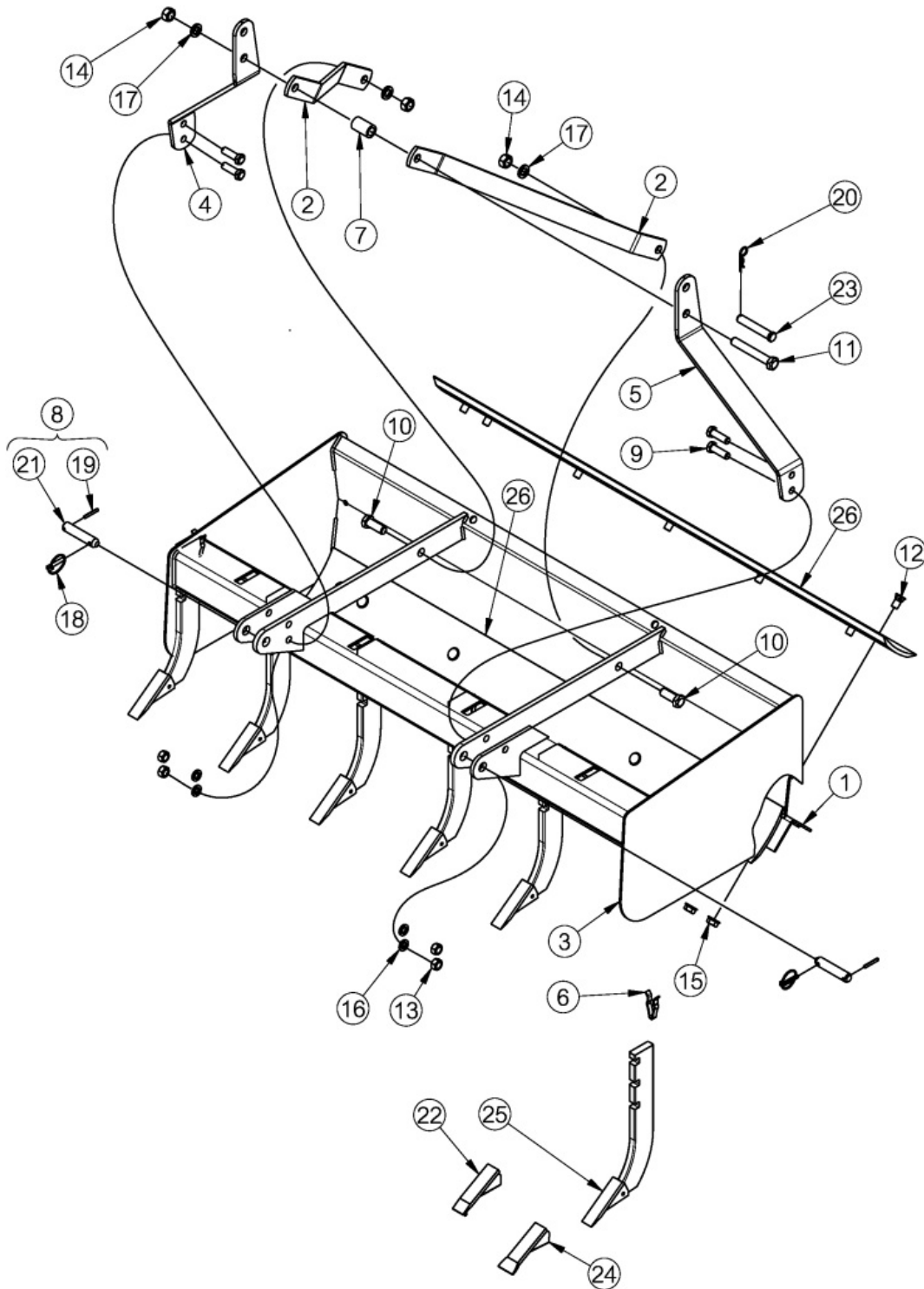
This Page Intentionally Left Blank

Complete Assembly - BB1260

Ref.	Part No.	Part Description	Comments
18	805-015C	PIN LINCH 5/16 X 1 3/4	
19	805-041C	PIN ROLL 1/4X1 3/4	
20	805-143C	PIN HAIR COTTER .120 PLT	
21	805-198C	PIN CLVS HDLS .88X3.08 USBL	
22	820-050C	SHANK TIP DIMPLE-ON NARROW	Standard Tip
23	805-228C	PIN CLVS .75X3.94 USBL	
24	820-153C	SHANK TIP DIMPLE-ON WIDE FLARE	Optional Tip
25	820-344C	TRIPLE NOTCH SHANK	
26	820-447C	BLADE, 3/8 X 6 X 47 1/2 GRADER	BB1248
26	820-459C	BLADE, 3/8X6 X 53 1/2 LG GRADER	BB1254
26	820-448C	BLADE, 3/8 X 6 X 59 1/2 GRADER	BB1260
26	820-474C	BLADE, 3/8X6 X 65 1/2 LG GRADER	BB1266
26	820-449C	BLADE, 3/8 X 6 X 71 1/2 GRADER	BB1272

Complete Assembly - BB1266

Applies to Models: BB1266



Complete Assembly - BB1266

Applies to Models: BB1266

Ref.	Part No.	Part Description	Comments
	DWG 30730	Drawing Image Number	
1	303-219D	ANGLE, 66" MOLDBOARD BLADE	Welding Required
2	303-212D	STRAP, UPPER HITCH BRACE	
2	303-212D81	STRAP, GREEN UPPER HITCH BRACE	
2	303-212D82	STRAP, ORANG UPPER HITCH BRACE	
2	303-212D83	STRAP, UPPER HITCH BRACE RED	
2	303-212D85	STRAP, BLACK UPPER HITCH BRACE	
3	303-318H	WLDMNT, 66" LIGHT DUTY SCRAPER	
3	303-318H81	WLDMNT, 66" GREEN SCRAPER	
3	303-318H82	WLDMNT, 66" ORANGE SCRAPER	
3	303-318H83	WLDMNT, 66" RED SCRAPER	
4	303-440D	BB12 SERIES HITCH STRAP RH	2050011+
4	303-440D82	BB12 SRS HITCH STRAP RH ORANGE	2050011+
4	303-440D85	BB12 SRS HITCH STRAP RH BLACK	
4	303-354D	BB12 SERIES HITCH STRAP RH	1004230 to 2050010
4	303-354D81	BB12 SERIES HITCH STRAP RH GRN	1004230 to 2050010
4	303-354D82	BB12 SERIES HITCH STRAP RH ORG	1004230 to 2050010
4	303-354D83	BB12 SERIES HITCH STRAP RH RED	1004230 to 2050010
4	303-122D	HITCH TOP RH STRAP	S/N 1004229-
4	303-122D81	HITCH TOP RH STRAP GREEN	S/N 1004229-
4	303-122D82	HITCH TOP RH STRAP ORANGE	S/N 1004229-
4	303-122D83	HITCH TOP RH STRAP RED	S/N 1004229-
5	303-441D	BB12 SERIES HITCH STRAP LH	2050011+
5	303-441D82	BB12 SRS HITCH STRAP LH ORANGE	2050011+
5	303-441D85	BB12 SRS HITCH STRAP LH BLACK	
5	303-355D	BB12 SERIES HITCH STRAP LH	1004230 to 2050010
5	303-355D81	BB12 SERIES HITCH STRAP LH GRN	1004230 to 2050010
5	303-355D82	BB12 SERIES HITCH STRAP LH ORG	1004230 to 2050010
5	303-355D83	BB12 SERIES HITCH STRAP LH RED	1004230 to 2050010
5	303-123D	HITCH TOP LH STRAP	S/N 1004229-
5	303-123D81	HITCH TOP LH STRAP GREEN	S/N 1004229-
5	303-123D82	HITCH TOP LH STRAP ORANGE	S/N 1004229-
5	303-123D83	HITCH TOP LH STRAP RED	S/N 1004229-
6	305-111D	CLIP SHANK RETAINER	
7	827-255C	SPACER 1 1/4OD X 13/16ID X 2LG	
8	310-020S	LOWER HITCH PIN	
9	802-055C	HHCS 5/8-11X2 GR5 FTTHD	S/N 1004230+
9	802-064C	HHCS 3/4-10X2 GR5	S/N 1004229-
10	802-064C	HHCS 3/4-10X2 GR5	
11	802-069C	HHCS 3/4-10X5 GR5	
12	802-813C	PLOW 5/8-11X1 1/4 GR5	
13	803-021C	NUT HEX 5/8-11 PLT	S/N 1004230+
13	803-027C	NUT HEX 3/4-10 PLT	S/N 1004229-
14	803-027C	NUT HEX 3/4-10 PLT	
15	803-304C	NUT HEX WHIZ 5/8-11 PLT	S/N 815206+
15	803-263C	NUT HEX FLANGE LOCK 5/8-11 PLT	S/N 815205-
16	804-022C	WASHER LOCK SPRING 5/8 PLT	S/N 1004230+
16	804-023C	WASHER LOCK SPRING 3/4 PLT	S/N 1004229-
17	804-023C	WASHER LOCK SPRING 3/4 PLT	
18	805-015C	PIN LINCH 5/16 X 1 3/4	

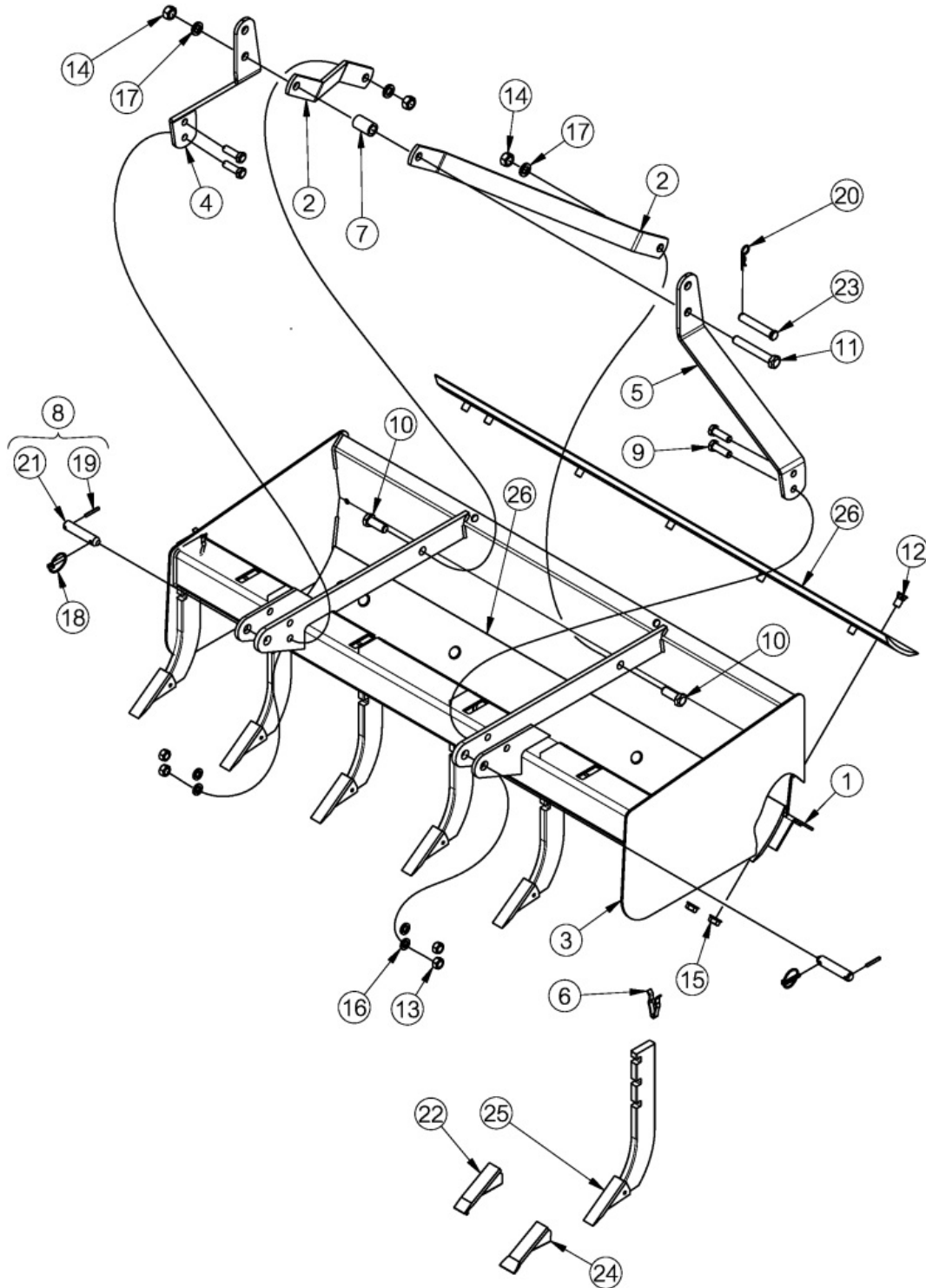
This Page Intentionally Left Blank

Complete Assembly - BB1266

Ref.	Part No.	Part Description	Comments
19	805-041C	PIN ROLL 1/4X1 3/4	
20	805-143C	PIN HAIR COTTER .120 PLT	
21	805-198C	PIN CLVS HDLS .88X3.08 USBL	
22	820-050C	SHANK TIP DIMPLE-ON NARROW	Standard Tip
23	805-228C	PIN CLVS .75X3.94 USBL	
24	820-153C	SHANK TIP DIMPLE-ON WIDE FLARE	Optional Tip
25	820-344C	TRIPLE NOTCH SHANK	
26	820-474C	BLADE,3/8X6 X 65 1/2 LG GRADER	

Complete Assembly - BB1272

Applies to Models: BB1272



Complete Assembly - BB1272

Applies to Models: BB1272

Ref.	Part No.	Part Description	Comments
	DWG 30730	Drawing Image Number	
1	303-205D	ANGLE, 72" MOLDBOARD BLADE MNT	Welding Required
2	303-212D	STRAP, UPPER HITCH BRACE	
2	303-212D81	STRAP, GREEN UPPER HITCH BRACE	
2	303-212D82	STRAP, ORANG UPPER HITCH BRACE	
2	303-212D83	STRAP, UPPER HITCH BRACE RED	
2	303-212D85	STRAP, BLACK UPPER HITCH BRACE	
3	303-301H	WLDMNT, 72" LIGHT DUTY SCRAPER	
3	303-301H81	WLDMNT, 72" GREEN LD SCRAPER	
3	303-301H82	WLDMNT, 72" ORANGE LD SCRAPER	
3	303-301H83	WLDMNT, 72" RED SCRAPER	
4	303-440D	BB12 SERIES HITCH STRAP RH	S/N 2050011+
4	303-440D82	BB12 SRS HITCH STRAP RH ORANGE	S/N 2050011+
4	303-440D85	BB12 SRS HITCH STRAP RH BLACK	
4	303-354D	BB12 SERIES HITCH STRAP RH	S/N 1008803 to 2050010
4	303-354D81	BB12 SERIES HITCH STRAP RH GRN	S/N 1008803 to 2050010
4	303-354D82	BB12 SERIES HITCH STRAP RH ORG	S/N 1008803 to 2050010
4	303-354D83	BB12 SERIES HITCH STRAP RH RED	S/N 1008803 to 2050010
4	303-122D	HITCH TOP RH STRAP	S/N 1008802-
4	303-122D81	HITCH TOP RH STRAP GREEN	S/N 1008802-
4	303-122D82	HITCH TOP RH STRAP ORANGE	S/N 1008802-
4	303-122D83	HITCH TOP RH STRAP RED	S/N 1008802-
5	303-441D	BB12 SERIES HITCH STRAP LH	S/N 2050011+
5	303-441D82	BB12 SRS HITCH STRAP LH ORANGE	S/N 2050011+
5	303-441D85	BB12 SRS HITCH STRAP LH BLACK	
5	303-355D	BB12 SERIES HITCH STRAP LH	S/N 1008803 to 2050010
5	303-355D81	BB12 SERIES HITCH STRAP LH GRN	S/N 1008803 to 2050010
5	303-355D82	BB12 SERIES HITCH STRAP LH ORG	S/N 1008803 to 2050010
5	303-355D83	BB12 SERIES HITCH STRAP LH RED	S/N 1008803 to 2050010
5	303-123D	HITCH TOP LH STRAP	S/N 1008802-
5	303-123D81	HITCH TOP LH STRAP GREEN	S/N 1008802-
5	303-123D82	HITCH TOP LH STRAP ORANGE	S/N 1008802-
5	303-123D83	HITCH TOP LH STRAP RED	S/N 1008802-
6	305-111D	CLIP SHANK RETAINER	
7	827-255C	SPACER 1 1/4OD X 13/16ID X 2LG	
8	310-020S	LOWER HITCH PIN	
9	802-055C	HHCS 5/8-11X2 GR5 FTTHD	S/N 1008803+
9	802-064C	HHCS 3/4-10X2 GR5	S/N 1008802-
10	802-064C	HHCS 3/4-10X2 GR5	
11	802-069C	HHCS 3/4-10X5 GR5	
12	802-813C	PLOW 5/8-11X1 1/4 GR5	
13	803-021C	NUT HEX 5/8-11 PLT	S/N 1008803+
13	803-027C	NUT HEX 3/4-10 PLT	S/N 1008802-
14	803-027C	NUT HEX 3/4-10 PLT	
15	803-304C	NUT HEX WHIZ 5/8-11 PLT	S/N 815206+
15	803-263C	NUT HEX FLANGE LOCK 5/8-11 PLT	S/N 815205-
16	804-022C	WASHER LOCK SPRING 5/8 PLT	S/N 1008803+
16	804-023C	WASHER LOCK SPRING 3/4 PLT	S/N 1008802-
17	804-023C	WASHER LOCK SPRING 3/4 PLT	
18	805-015C	PIN LINCH 5/16 X 1 3/4	

Complete Assembly - BB1272

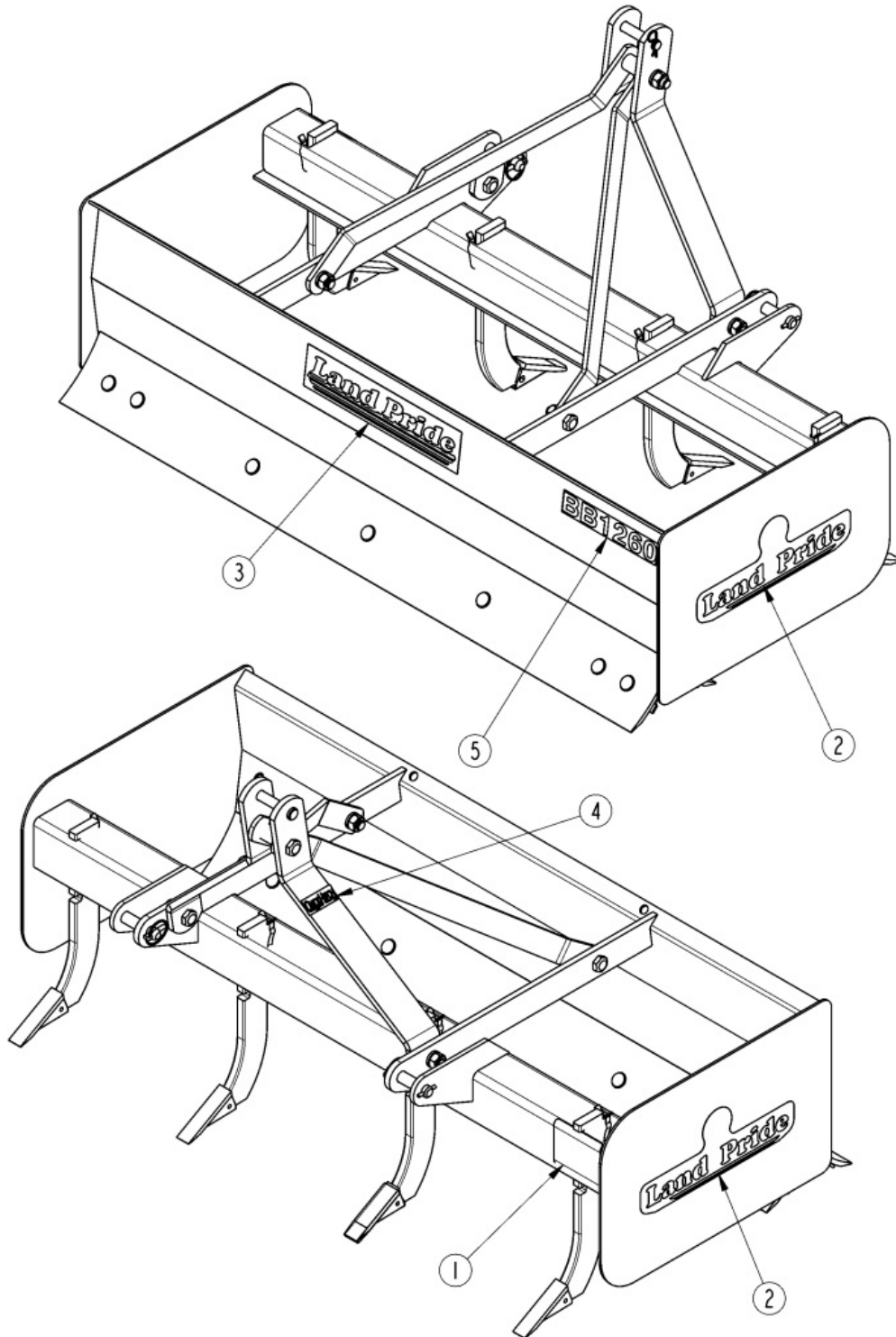
This Page Intentionally Left Blank

Complete Assembly - BB1272

Ref.	Part No.	Part Description	Comments
19	805-041C	PIN ROLL 1/4X1 3/4	
20	805-143C	PIN HAIR COTTER .120 PLT	
21	805-198C	PIN CLVS HDLS .88X3.08 USBL	
22	820-050C	SHANK TIP DIMPLE-ON NARROW	Standard Tip
23	805-228C	PIN CLVS .75X3.94 USBL	
24	820-153C	SHANK TIP DIMPLE-ON WIDE FLARE	Optional Tip
25	820-344C	TRIPLE NOTCH SHANK	
26	820-449C	BLADE, 3/8 X 6 X 71 1/2 GRADER	

Decal Placement - BB1248

Applies to Models: BB1248



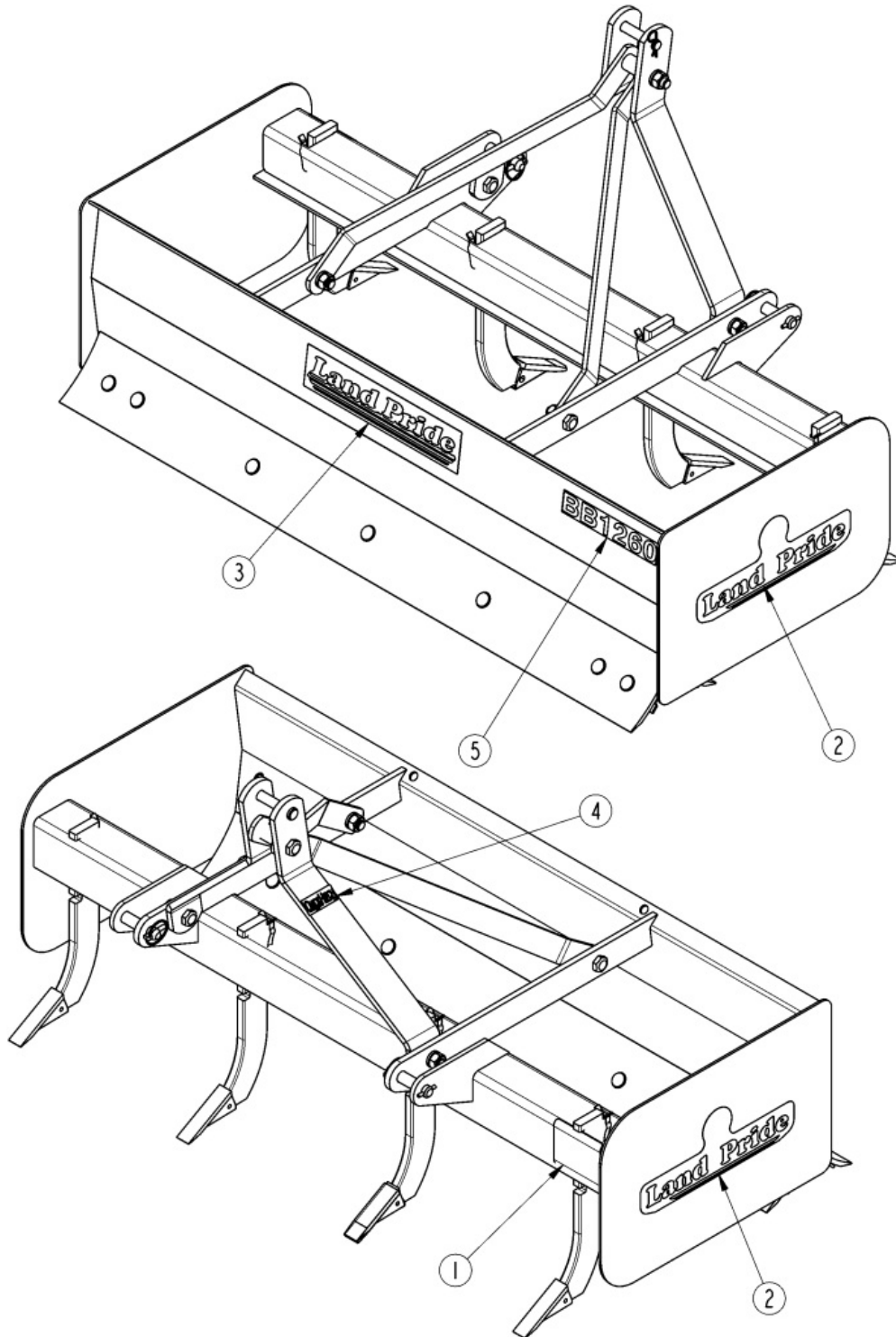
Decal Placement - BB1248

Applies to Models: BB1248

Ref.	Part No.	Part Description	Comments
	DWG 30738	Drawing Image Number	
1	818-267C	DECAL WARNING - BOX SCRAPER	
2	838-964C	DECAL LP 16" W/TREE BROWN/GOLD	Green, Orange & Red Units (Obsolete) Beige Unit
2	818-893C	RPBY 838-964C	
3	838-965C	DECAL LANDPRIDE 16" BROWN/GOLD	Green, Orange & Red Units
3	818-901C	RPBY 838-965C	(Obsolete) Beige Unit
4	838-517C	DECAL QUICK HITCH SYSTEM	
5	848-683C	DECAL, BB1248 GOLD	
5	848-684C	RPBY 848-683C	Obsolete

Decal Placement - BB1254

Applies to Models: BB1254



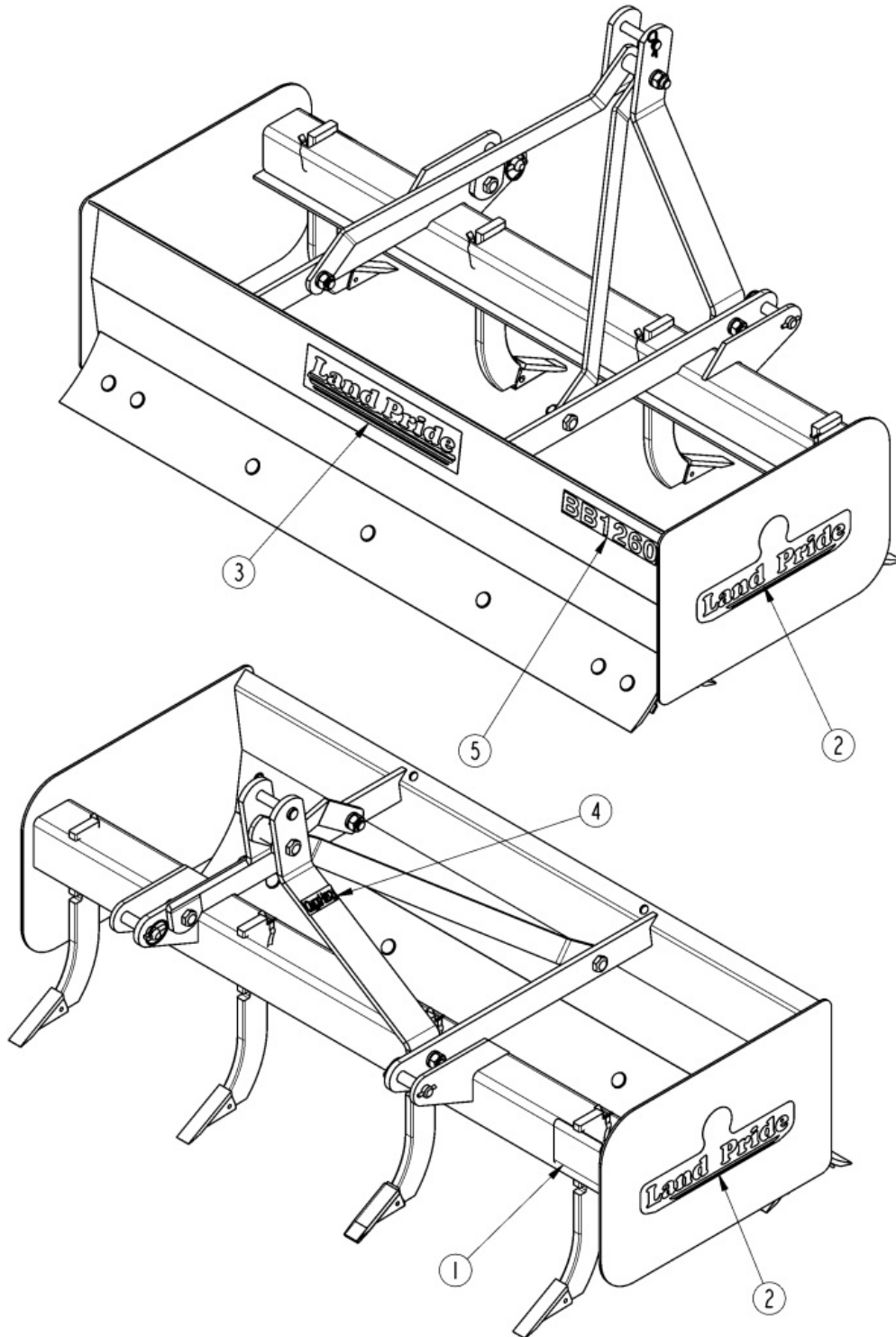
Decal Placement - BB1254

Applies to Models: BB1254

Ref.	Part No.	Part Description	Comments
	DWG 30738	Drawing Image Number	
1	818-267C	DECAL WARNING - BOX SCRAPER	
2	838-964C	DECAL LP 16" W/TREE BROWN/GOLD	Green, Orange & Red Units
2	818-893C	RPBY 838-964C	(Obsolete) Beige Unit
3	838-965C	DECAL LANDPRIDE 16" BROWN/GOLD	Green, Orange & Red Units
3	818-901C	RPBY 838-965C	(Obsolete) Beige Unit
4	838-517C	DECAL QUICK HITCH SYSTEM	
5	848-868C	DECAL, BB1254 GOLD	Beige Unit
5	848-869C	RPBY 848-868C	(Obsolete) Green, Orange & Red Units

Decal Placement - BB1260

Applies to Models: BB1260



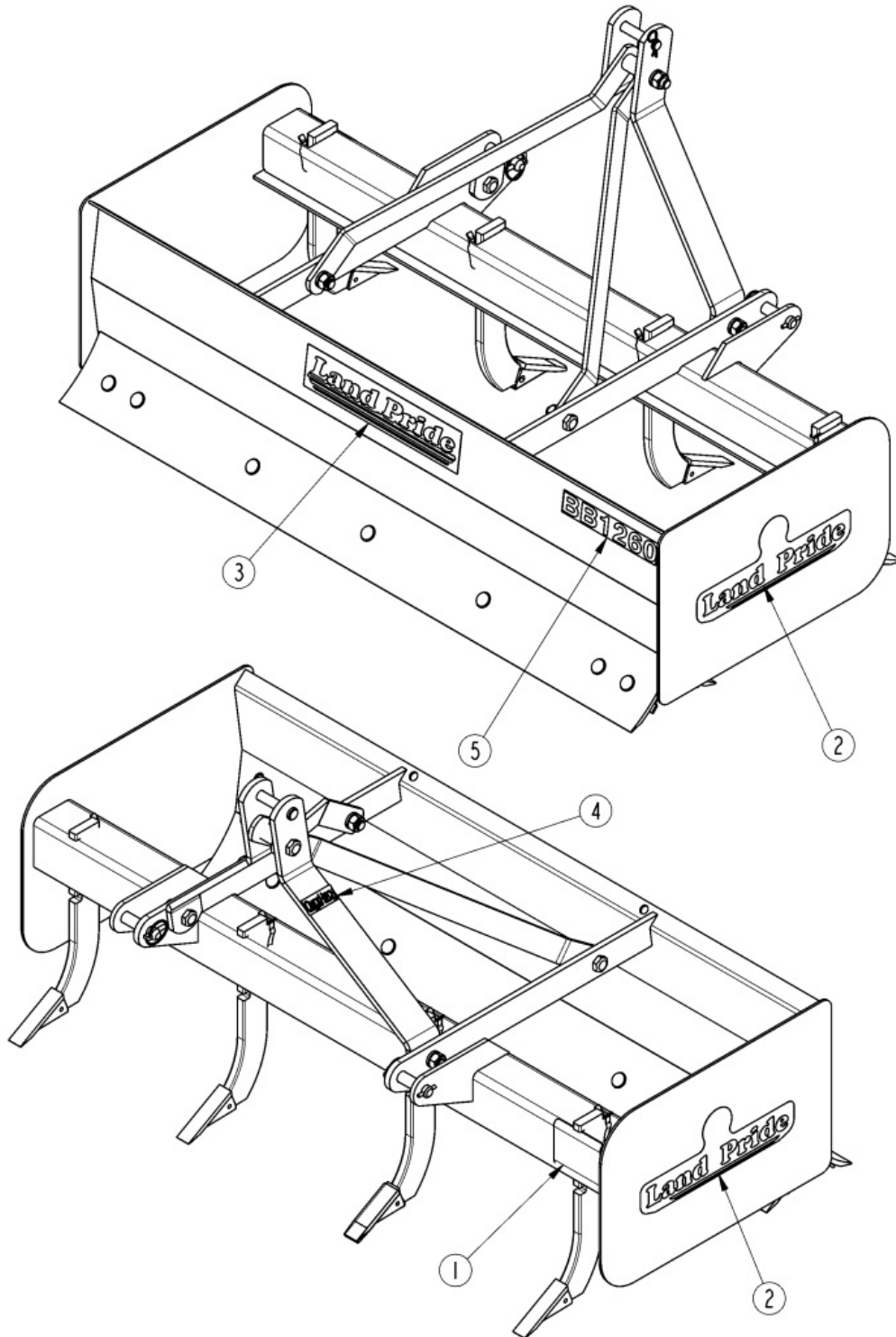
Decal Placement - BB1260

Applies to Models: BB1260

Ref.	Part No.	Part Description	Comments
	DWG 30738	Drawing Image Number	
1	818-267C	DECAL WARNING - BOX SCRAPER	
2	838-964C	DECAL LP 16" W/TREE BROWN/GOLD	Green, Orange & Red Units (Obsolete) Beige Unit
2	818-893C	RPBY 838-964C	
3	838-965C	DECAL LANDPRIDE 16" BROWN/GOLD	Green, Orange & Red Units
3	818-901C	RPBY 838-965C	(Obsolete) Beige Unit
4	838-517C	DECAL QUICK HITCH SYSTEM	
5	848-685C	DECAL, BB1260 GOLD	
5	848-686C	RPBY 848-685C	Obsolete

Decal Placement - BB1266

Applies to Models: BB1266



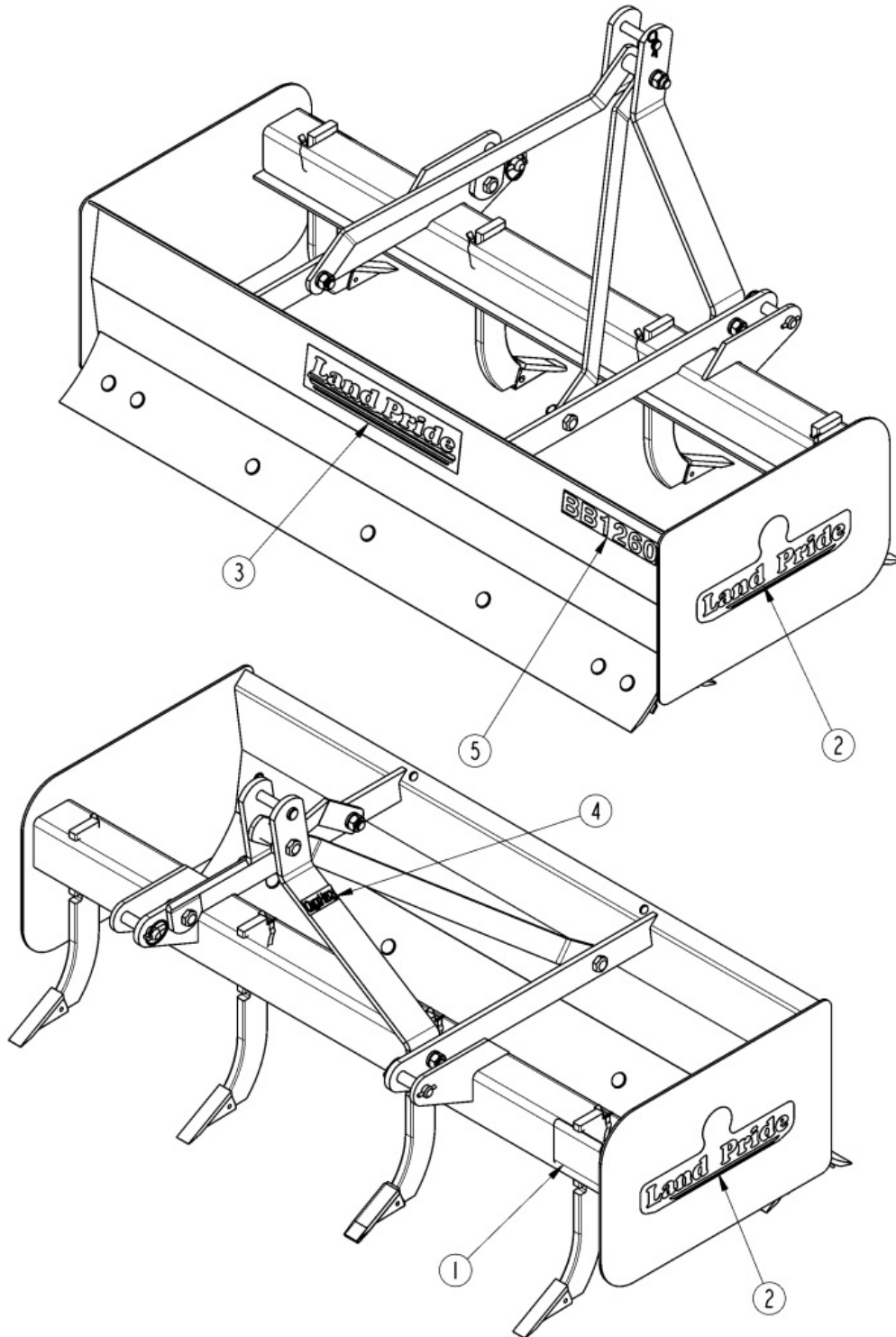
Decal Placement - BB1266

Applies to Models: BB1266

Ref.	Part No.	Part Description	Comments
	DWG 30738	Drawing Image Number	
1	818-267C	DECAL WARNING - BOX SCRAPER	
2	838-964C	DECAL LP 16" W/TREE BROWN/GOLD	Green, Orange & Red Units (Obsolete) Beige Unit
2	818-893C	RPBY 838-964C	
3	838-965C	DECAL LANDPRIDE 16" BROWN/GOLD	Green, Orange & Red Units
3	818-901C	RPBY 838-965C	(Obsolete) Beige Unit
4	838-517C	DECAL QUICK HITCH SYSTEM	
5	848-870C	DECAL, BB1266 GOLD	
5	848-871C	RPBY 848-870C	Obsolete

Decal Placement - BB1272

Applies to Models: BB1272



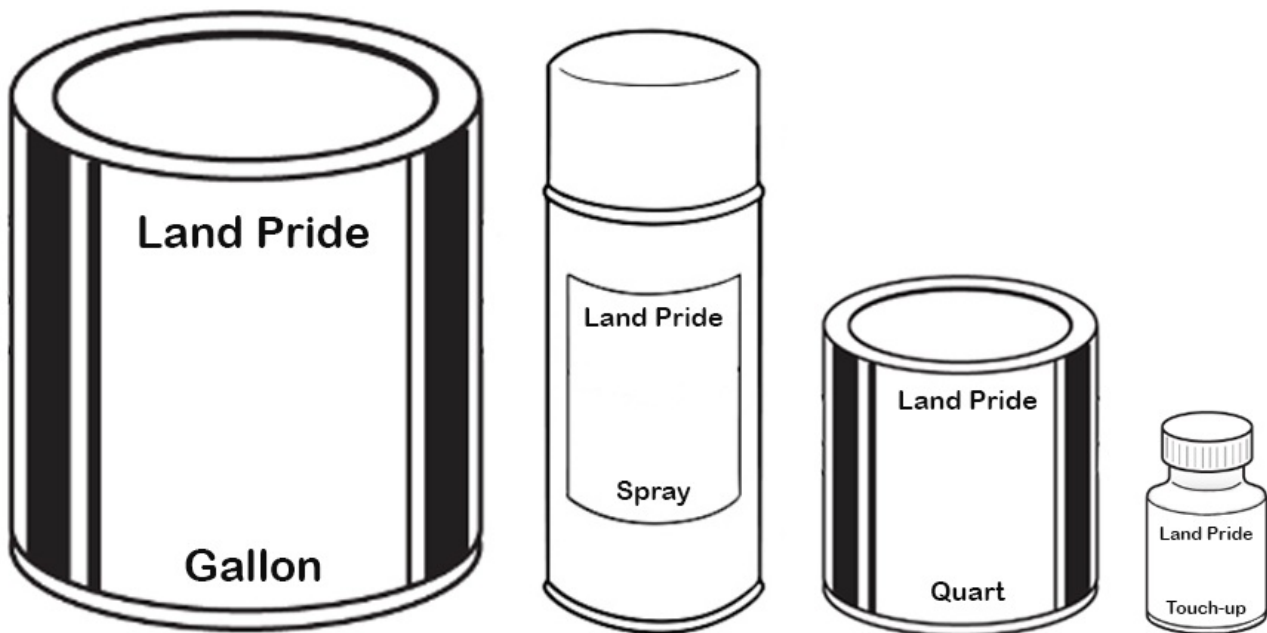
Decal Placement - BB1272

Applies to Models: BB1272

Ref.	Part No.	Part Description	Comments
	DWG 30738	Drawing Image Number	
1	818-267C	DECAL WARNING - BOX SCRAPER	
2	838-964C	DECAL LP 16" W/TREE BROWN/GOLD	Green, Orange & Red Units (Obsolete) Beige Unit
2	818-893C	RPBY 838-964C	
3	838-965C	DECAL LANDPRIDE 16" BROWN/GOLD	Green, Orange & Red Units
3	818-901C	RPBY 838-965C	(Obsolete) Beige Unit
4	838-517C	DECAL QUICK HITCH SYSTEM	
5	848-687C	DECAL, BB1272 GOLD	
5	848-688C	RPBY 848-687C	Obsolete

Touch-up Paints (Land Pride)

Applies to Models: BB1248, BB1254, BB1260, BB1266, BB1272



Touch-up Paints (Land Pride)

Applies to Models: BB1248, BB1254, BB1260, BB1266, BB1272

Ref.	Part No.	Part Description	Comments
	DWG 76585	Image No. *	
		Beige	
	821-011C	PAINT LP BEIGE SPRAY CAN	Beige spray can
	821-011CTU	PAINT LP BEIGE TOUCH-UP 4OZ	Beige touch-up bottle with brush
	821-011CQT	PAINT LP BEIGE QUART	Beige quart can
	821-011CGL	PAINT LP BEIGE GALLON *	Beige gallon can
		Orange	
	821-066C	PAINT ORANGE SPRAY CAN	Orange spray can
	821-066CTU	PAINT ORANGE TOUCH-UP .6OZ	Orange touch-up bottle with brush
	821-066CQT	PAINT ORANGE QUART	Orange quart can
	821-066CGL	PAINT ORANGE GALLON *	Orange gallon can
		Black	
	821-070C	PAINT GP GLOSS BLACK SPRAY CAN	Black spray can
	821-070CTU	PAINT GLOSS BLACK TOUCH-UP 4OZ	Black touch-up bottle with brush
	821-070CQT	PAINT GP GLOSS BLACK QUART	Black quart can
	821-070CGL	PAINT GP GLOSS BLACK GALLON *	Black gallon can
		Red	
	821-054C	PAINT MED. RED SPRAY TRCK/CTR	Red spray can
	821-054CTU	PAINT MED RED TOUCH-UP 4OZ	(Obsolete)
	821-054CQT	PAINT MED RED QUART	Red quart can
	821-054CGL	PAINT MED RED GALLON *	Red gallon can
		Green	
	821-058C	PAINT GREEN SPRAY CUTTERS	Green spray can
	821-058CTU	PAINT GREEN TOUCH-UP 4OZ	Green touch-up bottle with brush
	821-058CQT	PAINT GREEN QUART	Green quart can
	821-058CGL	PAINT GREEN GALLON *	Green gallon can
		Blue	
	821-067C	PAINT BLUE SPRAY CAN	Blue spray can
	821-067CTU	PAINT BLUE TOUCH-UP 5OZ	(Obsolete)
	821-067CQT	PAINT BLUE QUART	(Obsolete)
	821-067CGL	PAINT BLUE GALLON *	(Obsolete)
		Aluminum/Zinc	
	821-080C	PAINT ALUMINUM/ZINC SPRAY CAN	Aluminum/Zinc spray can
	821-080CTU	PAINT ALUMINUM/ZINC TOUCH UP	Aluminum/Zinc touch-up bottle with brush
	821-080CQT	PAINT ALUMINUM/ZINC QUART	Aluminum/Zinc quart can
	821-080CGL	PAINT ALUMINUM/ZINC GALLON	Aluminum/Zinc gallon can

Part Number Index

Part Number	Page	Part Number	Page	Part Number	Page
303-122D	5, 9, 13, 17, 21	303-354D82	5, 9, 13, 17, 21	820-050C	7, 11, 15, 19, 23
303-122D81	5, 9, 13, 17, 21	303-354D83	5, 9, 13, 17, 21	820-153C	7, 11, 15, 19, 23
303-122D82	5, 9, 13, 17, 21	303-355D	5, 9, 13, 17, 21	820-344C	7, 11, 15, 19, 23
303-122D83	5, 9, 13, 17, 21	303-355D81	5, 9, 13, 17, 21	820-447C	7, 15
303-123D	5, 9, 13, 17, 21	303-355D82	5, 9, 13, 17, 21	820-448C	15
303-123D81	5, 9, 13, 17, 21	303-355D83	5, 9, 13, 17, 21	820-449C	15, 23
303-123D82	5, 9, 13, 17, 21	303-440D	5, 9, 13, 17, 21	820-459C	11, 15
303-123D83	5, 9, 13, 17, 21	303-440D82	5, 9, 13, 17, 21	820-474C	15, 19
303-203D	5	303-440D85	5, 9, 13, 17, 21	821-011C	35
303-204D	13	303-441D	5, 9, 13, 17, 21	821-011CGL	35
303-205D	21	303-441D82	5, 9, 13, 17, 21	821-011CQT	35
303-212D	5, 9, 13, 17, 21	303-441D85	5, 9, 13, 17, 21	821-011CTU	35
303-212D81	5, 9, 13, 17, 21	305-111D	5, 9, 13, 17, 21	821-054C	35
303-212D82	5, 9, 13, 17, 21	310-020S	5, 9, 13, 17, 21	821-054CGL	35
303-212D83	5, 9, 13, 17, 21	802-055C	5, 9, 13, 17, 21	821-054CQT	35
303-212D85	5, 9, 13, 17, 21	802-064C	5, 9, 13, 17, 21	821-054CTU	35
303-218D	9	802-069C	5, 9, 13, 17, 21	821-058C	35
303-219D	17	802-813C	5, 9, 13, 17, 21	821-058CGL	35
303-299H	5	803-021C	5, 9, 13, 17, 21	821-058CQT	35
303-299H81	5	803-027C	5, 9, 13, 17, 21	821-058CTU	35
303-299H82	5	803-263C	5, 9, 13, 17, 21	821-066C	35
303-299H83	5	803-304C	5, 9, 13, 17, 21	821-066CGL	35
303-300H	13	804-022C	5, 9, 13, 17, 21	821-066CQT	35
303-300H81	13	804-023C	5, 9, 13, 17, 21	821-066CTU	35
303-300H82	13	805-015C	5, 9, 15, 17, 21	821-067C	35
303-300H83	13	805-041C	7, 11, 15, 19, 23	821-067CGL	35
303-300H85	13	805-143C	7, 11, 15, 19, 23	821-067CQT	35
303-301H	21	805-198C	7, 11, 15, 19, 23	821-067CTU	35
303-301H81	21	805-228C	7, 11, 15, 19, 23	821-070C	35
303-301H82	21	818-267C	25, 27, 29, 31, 33	821-070CGL	35
303-301H83	21	818-893C	25, 27, 29, 31, 33	821-070CQT	35
303-317H	9	818-901C	25, 27, 29, 31, 33	821-070CTU	35
303-317H81	9			821-080C	35
303-317H82	9			821-080CGL	35
303-317H83	9			821-080CQT	35
303-318H	17			821-080CTU	35
303-318H81	17			827-255C	5, 9, 13, 17, 21
303-318H82	17			838-517C	25, 27, 29, 31, 33
303-318H83	17			838-964C	25, 27, 29, 31, 33
303-354D	5, 9, 13, 17, 21			838-965C	25, 27, 29, 31, 33
303-354D81	5, 9, 13, 17, 21			848-683C	25
				848-684C	25
				848-685C	29
				848-686C	29

Part Number	Page
848-687C	33
848-688C	33
848-868C	27
848-869C	27
848-870C	31
848-871C	31
DWG 30730	5, 9, 13, 17, 21
DWG 30738	25, 27, 29, 31, 33
DWG 76585	35



Great Plains Manufacturing, Inc.

Corporate Office: P.O. Box 5060
Salina, Kansas 67402-5060 USA

www.landpride.com
